



**PART # BPC PH 20 WMK**

**20-Ton Forged Heavy-Duty Pintle Hook**

**Capacity:**

8,000 lbs (3,629 kg) maximum vertical load

40,000 lbs (18,144 kg) M.G.T.W.

**Description:**

Drop forged alloy steel rigid type pintle hook.

Finished with black powder coat for superior durability and corrosion resistance.

**Drawbar Eye Dimensions:**

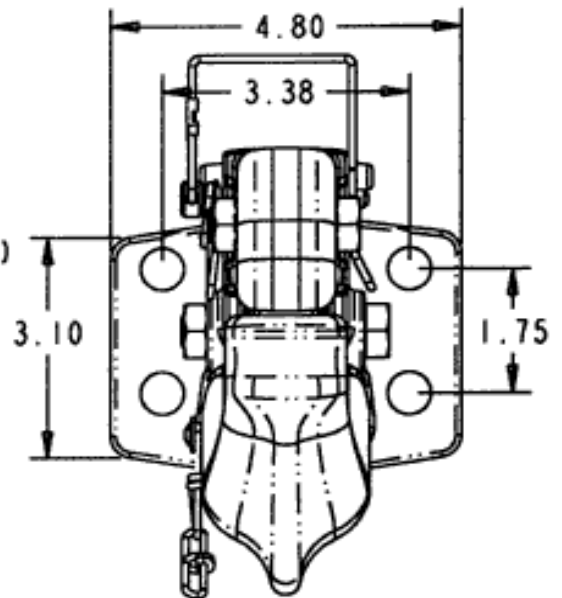
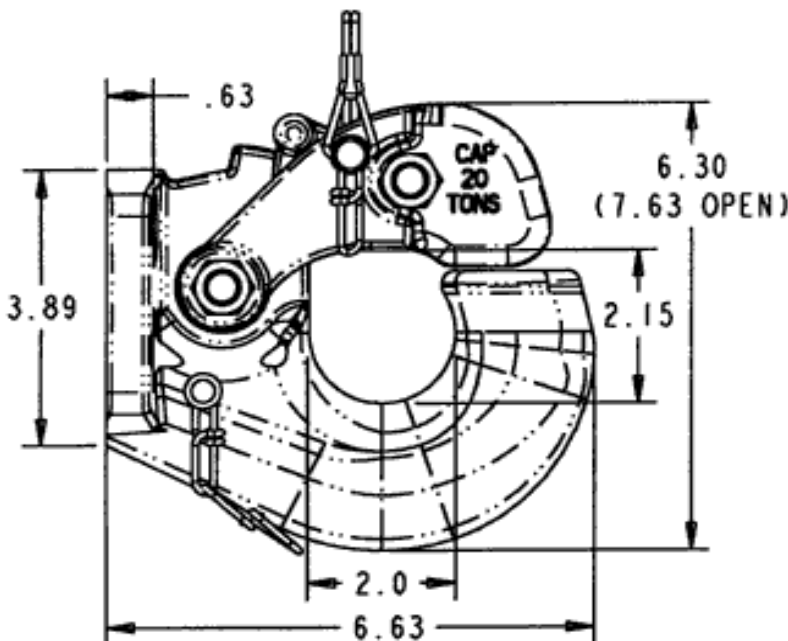
2" to 3" I.D. with 1-1/4" to 1-5/8" diameter section.

Pintle hooks are individually boxed and include mounting instructions, specifications sheet, adhesive backed drilling template, and vehicle capacity decal.

**Weight:**

13.3 lbs (6.03 kg)

**CRN # 37268 D-VALUE 100kn**



*All dimensions shown are nominal*