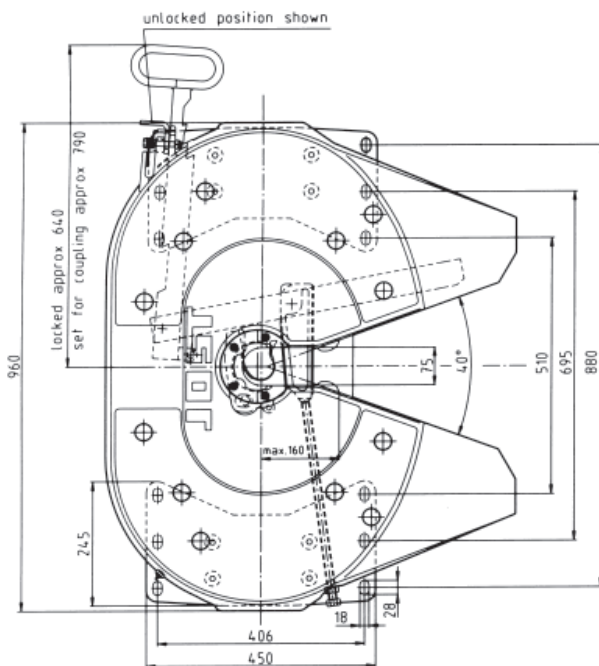
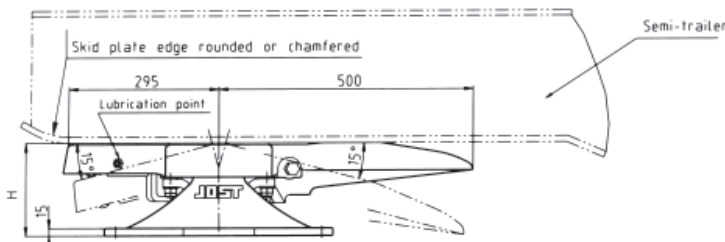
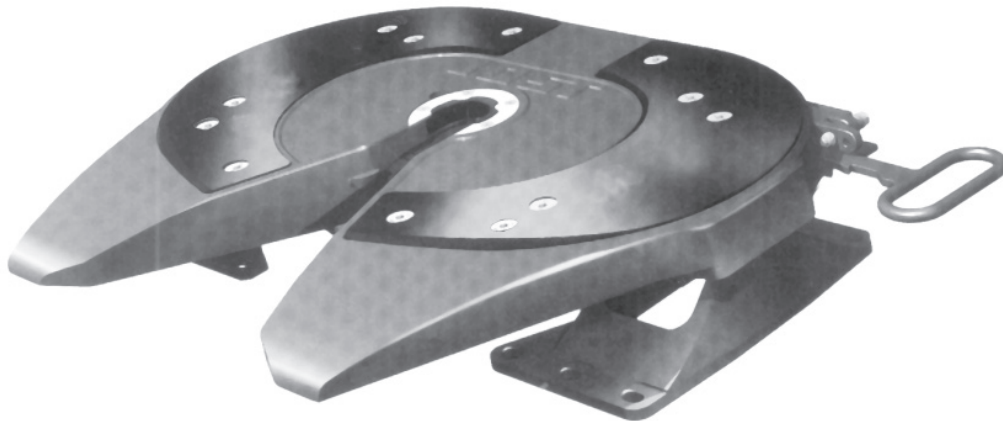


### JSK 37 CZW



**Applications:** Tanker  
General freight  
Stock crate  
Fridge van  
B-double  
Road train

The fifth wheel comes standard with non-weldable feet, available with weldable feet upon request.

Low maintenance fifth wheel coupling:

- maintenance free top plate
- maintenance free rubber cushioned pivot bearings
- maintenance free wearing ring
- only one remaining grease point the lock jaw (little grease required)

Lock jaw and wearing ring can be replaced without difficulty in a few minutes with the fifth wheel still in position.

Available with extended operating handle (240mm) on demand.

Mounting must be carried out in accordance with our instructions.

Mounting hole pattern in accordance with DIN standard 74081 and ISO standard 3842.

Type	Overall Height mm	Imposed Load On Tractor kg	D-Value kN	Weight Approx. kg	CRN
JSK 37 C150W	150	20000	190	136	24286
JSK 37 C170W	170	20000	190	139	
JSK 37 C185W	185	20000	190	141	
JSK 37 C250W	250	20000	190	145	
*JSK 37 C300W	300	20000	190	161	

\* Note 300mm non weldable pedestals

The right to alter specifications is reserved.

8/08

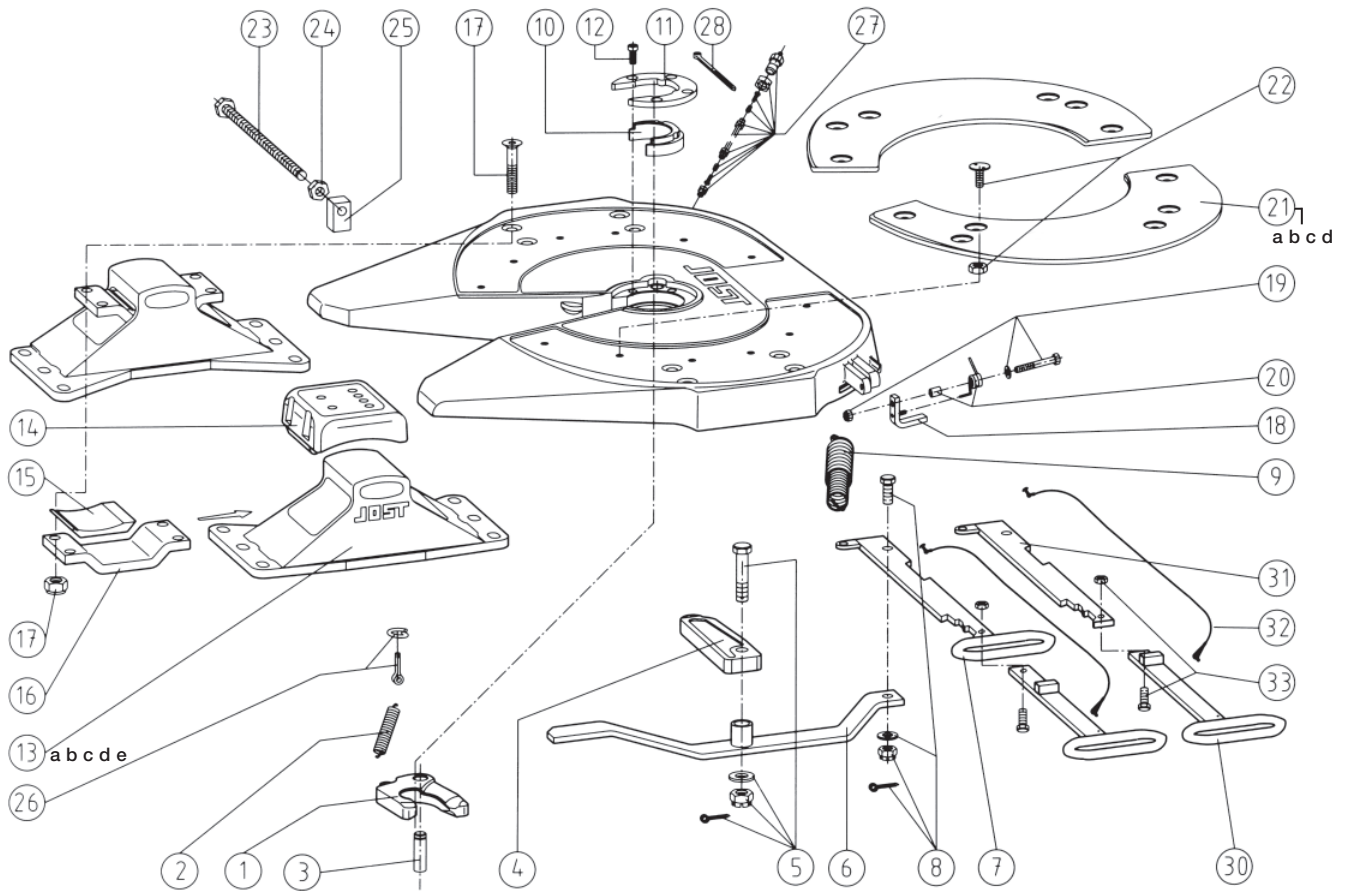


Fig.	Qty	Description	Part No.	Fig.	Qty	Description	Part No.
1		Lock jaw	SK 1489 Z	17	8	Countersunk bolt, compl.	SK 2121-15
2		Lock jaw spring	SK 847	18		Latch	SK 3121-52
3		Pivot for lock jaw, compl.	SK 2106-67	19		Bolt for spring latch	SK 3521-03
4		Locking bar	SK 3205-06	20		Spring noose with spacer	SK 3121-59
5		Locking bar bolt, compl.	SK 3221-01	21a		Top plate liner, right hand (6 bolt)	SK 3105-12910R
6		Lever	SK 3105-18	21b		Top plate liner, left hand (6 bolt)	SK 3105-12910L
7		Operating handle (standard)	SK 3105-15	21c		Top plate liner, right hand (new style)	SK 3105/130L
8		head bolt	SK 1513	21d		Top plate liner, left hand (new style)	SK 3105/130R
9		Double tension spring	SK 3105-20	22a		Countersunk bolt, compl.	SK 3121-062
10		Wear ring insert	SK 3105-92	22b	12	Hexalobular bolt (new style bolt only)	SKT 001006000
11		Wear ring	SK 3105-93	23		Adjusting screw	SK 3105-97
12	4	Socket head bolt	SK 3121-55	24		Hexagon nut	SK 2121-78
13a		Pedestal (150mm) bolt on	SK 2104-02X	25		Guide piece	SK 3205-07
13b		Pedestal (170mm) bolt on/weldable	SK 2104-21X	26		Eye bolt, compl.	SK 2122-04
13c		Pedestal (185mm) bolt on	SK 2104-01X	27		Lubrication tubing, compl.	SK 3108-02
13d		Pedestal (250mm) bolt on/weldable	SK 2104-14X	28		Tubing clamp	SK 3121-13
13e		Pedestal (300mm) bolt on	SK 2104-20	30		Extended handle, grip	SK 3105-113
14	2	Upper rubber cushion	SK 1259	31		Extended handle, lower part	SK 3105-115
15	2	Lower rubber cushion	SK 2105-25	32		Latch cord, compl.	SK 3521-02
16	2	Mounting bracket	SK 1372	33		Socket head bolt, compl.	SK 2421-50

Fig.	Repair kits	Part No.	Fig.	Adapting kit	Part No.
1,2,3	Repair kit for locking device	SK 3221-52Z	21,22	Repair kit for top plate liner (6 bolt)	SK 3106-007
10,11,12	Repair kit for wearing ring	SK 3105-94	22	Steel Inserts Kit 8mm (6 bolt)	SK 4000
14,15,17	Repair kit for bearing	SK 2121-69Z	22	Steel Inserts 6 bolt LH	SK4001L/8mm
18,19,20	Repair kit for spring latch	SK 3121-52 Kit	22	Steel Inserts 6 bolt RH	SK4001R/8mm
19,20,21	Repair kit for spring latch	SK 3121-59	30,32,33	Handle extension, compl.	SK 3121-063
21,22	Repair kit for top plate liner (4 bolt)	SK 3106-004	18,19,20	Repair kit for spring latch	SK 3121-52 Kit

The right to alter specifications is reserved

8/08

Jost Australia Pty. Ltd.  
Toll Free Sydney 1800 811 487  
www.jostaustralia.com.au

Sydney (02) 9838 8100  
Brisbane (07) 3272 5777  
Melbourne (03) 9360 9001  
Perth (08) 9355 4137