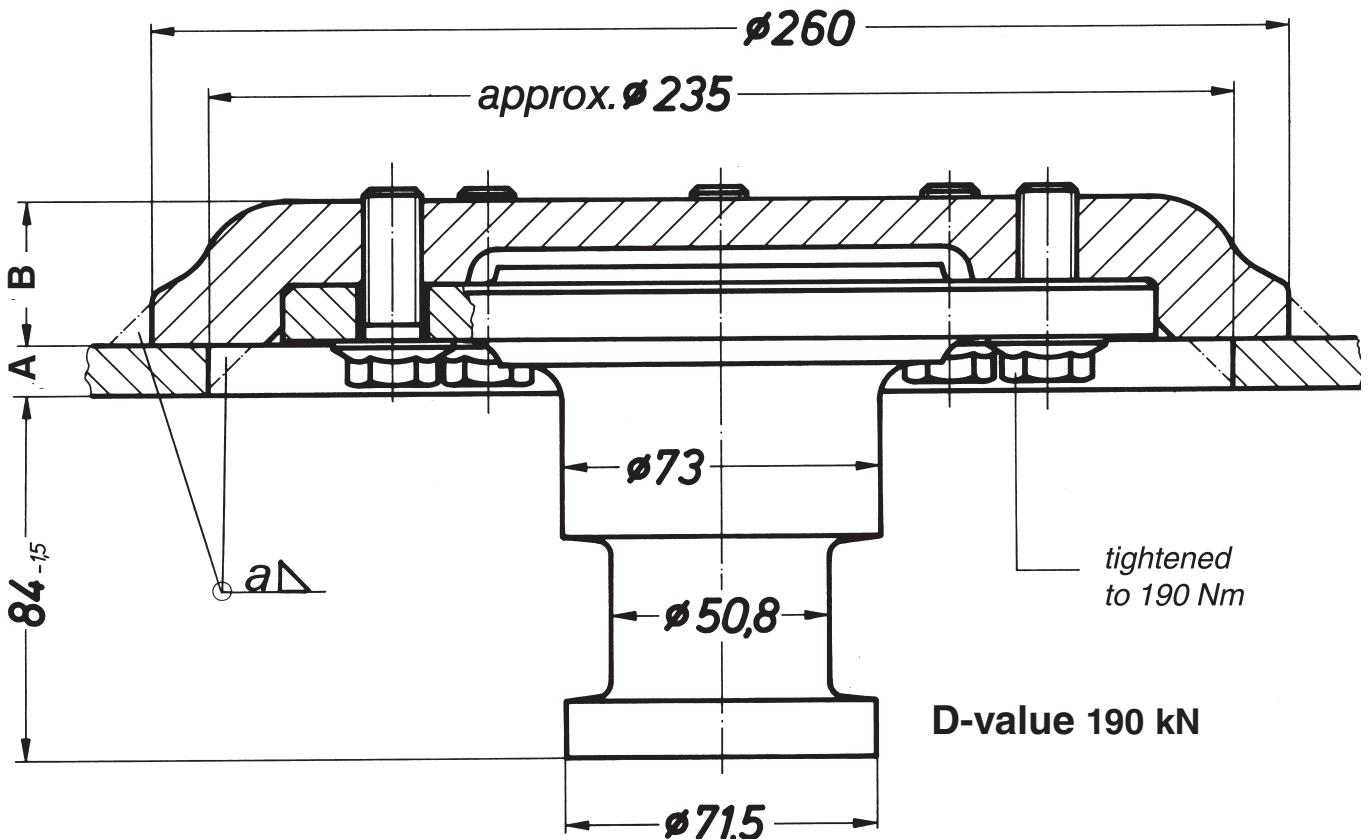
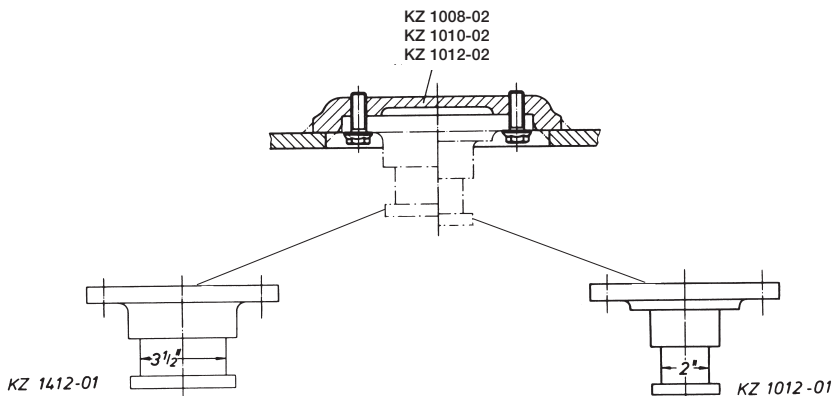


KZ 1008 - KZ 1012



Components

Skid plate thickness A	Type	Thickness B	Retention	King pin plate	Welding seam thickness a	CRN
8 mm	KZ 1008	37mm	KZ 1008-02	KZ 1012-01	6 mm	24156
10 mm	KZ 1010	34mm	KZ 1010-02		7 mm	24156
12 mm	KZ 1012	33mm	KZ 1012-02		7 mm	24156



B.Double & Road train Rated

Dimensions according to DIN 74080 and ISO 337

JOST king pins can be used in self steering axle systems.

Mounting must be carried out according to the instructions.

3 1/2" & 2" king pins are easily interchangeable

The right to alter specifications is reserved.

8/08

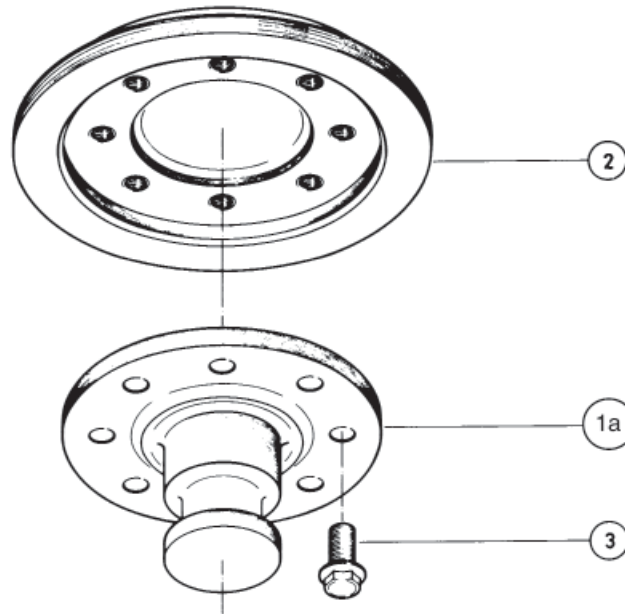


Fig.	Description	Part No.
1a	King pin 2" Dia	KZ 1012-01
2	Retention plate for: 12 mm skid plate 10 mm skid plate 8 mm skid plate	KZ 1012-02 KZ 1010-02 KZ 1008-02
3	Self-securing bolt	KZE 1012-03