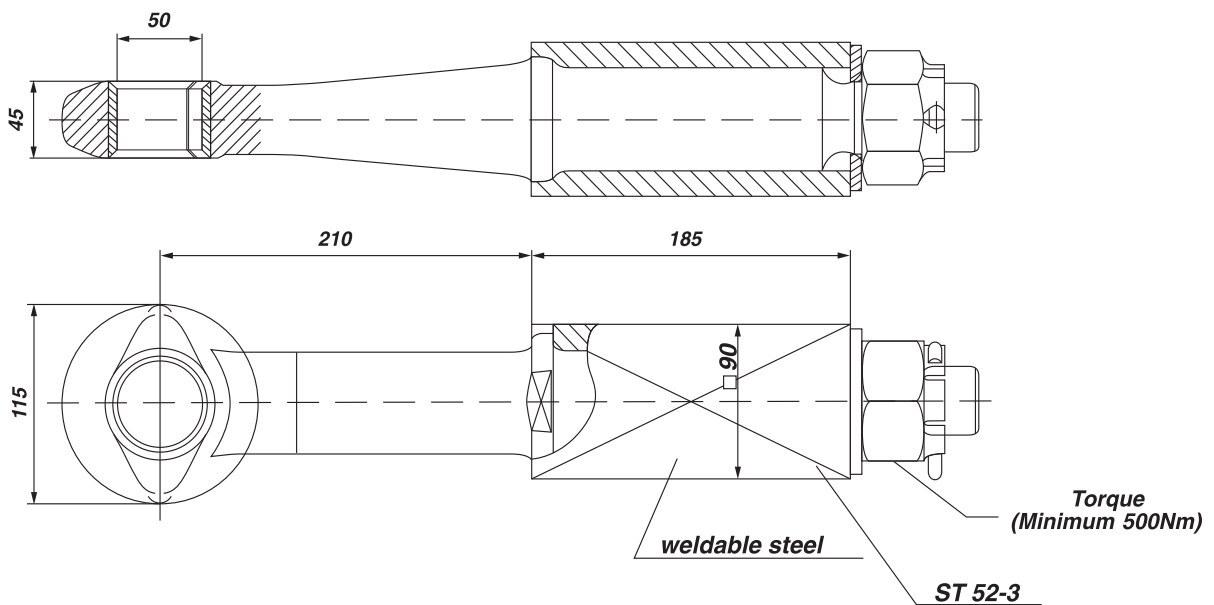


Rock 57254



Part no.: Rock 57254
Material: Steel Ck 45
 heat-treated
 to 630 - 780 N/mm²
D-Value: 191 kN
Weight: 18,5 kg
CRN: 29201

The right to alter specifications is reserved.

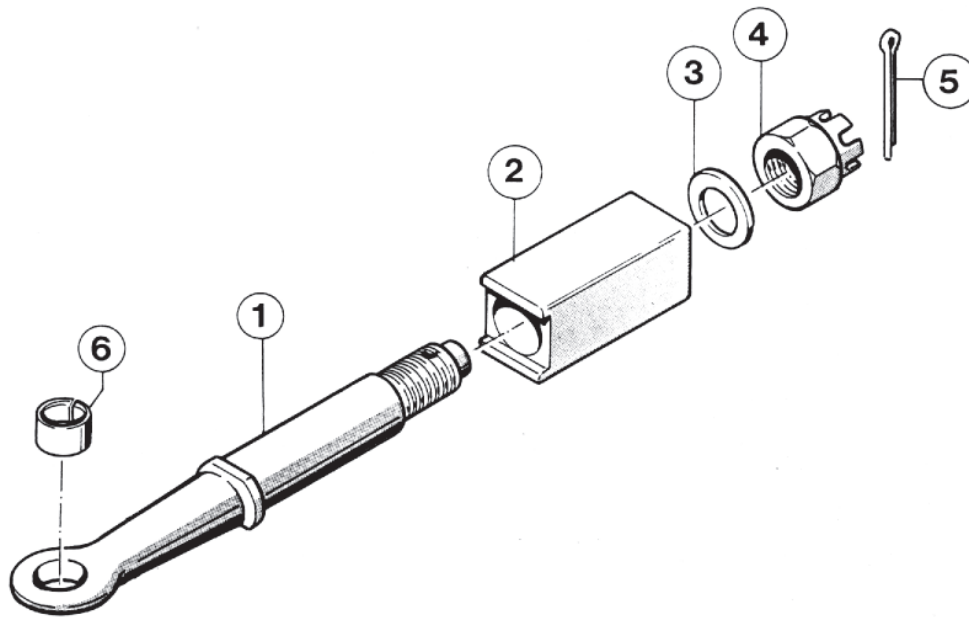


Fig.	Description	Part No.
1,3,4,5,6	Towing eye with Fig. 6	Rock 57292
2	Towing eye housing	AK 1271
3	Washer	AK 1272
4	Nut	AK 1265
5	Split pin	AK 1273
6	Solid Bush	R 53004