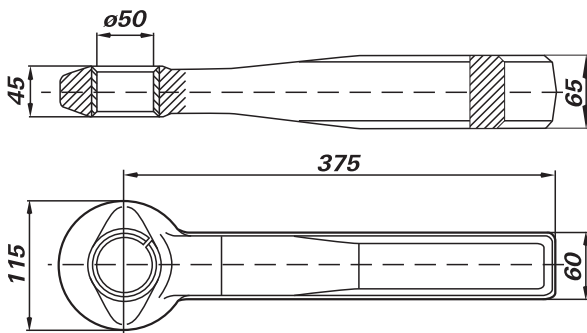


Rock 57272

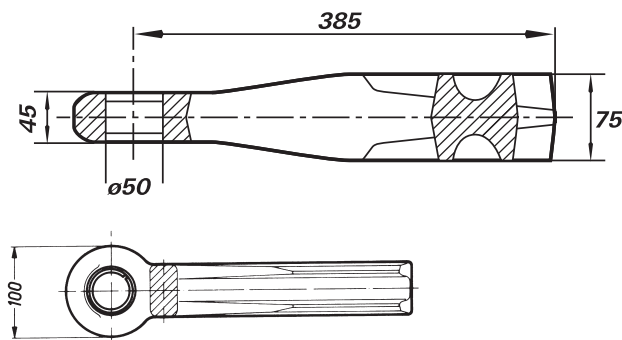
Towing eyes according to DIN 74053

pressed-in replaceable towing eye sleeve 50 mm inner diameter



Part no. Rock 57272
Material: heat-treated steel St 52-3
D-value: 191 kN
Weight: 10.3 kgs
Down Load: 1000 kgs
CRN: 29202

Rock 57394 c/w solid bush



Part no. Rock 57394
Material: heat-treated steel St 52-3
D-value: 314kN
Weight: 13.4 kgs
Down Load: 1000 kgs
D-value is reduced to 190kN with 100 kgs down load.
CRN: 24529