

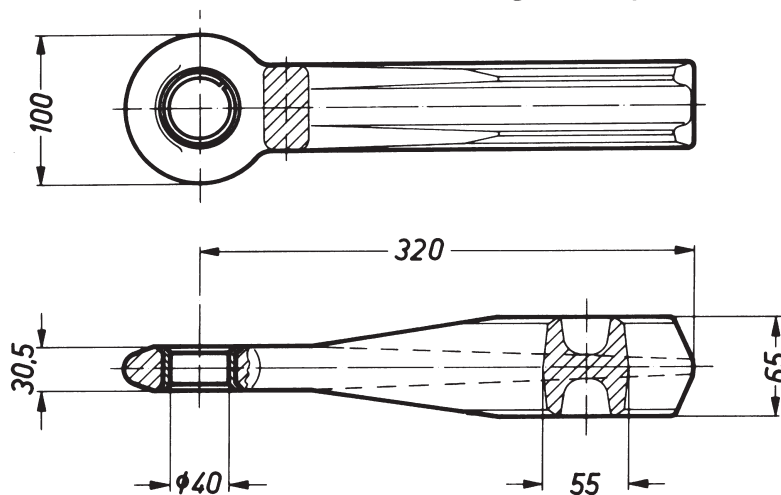
## Rock 57374

Towing eyes according to DIN 74054-40A  
pressed-in replaceable towing eye sleeve 40 mm inner diameter

D-value 120kN

CRN 24527

weight 6 kg



The right to alter specifications is reserved.

8/08