



Retractable Twistlock & Spacer

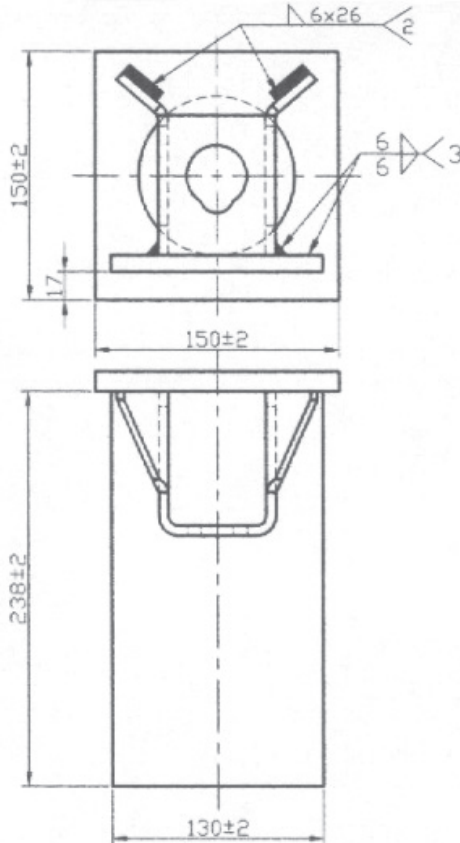
Type: TLB-122-0906
Spacer: TLB-122-09064
Housing Only: TLB-122-805LH
Mechanism Only: TLB-122-09062
Twistlock Only (No Spacer): TLB-122-09061
Weight: SPR=5.8kg & TKTR-L=9.5kg

House-Cast Steel, Frame & Handle-M.S.
 Plate Shaft-Forged.
 B.L. Tensile: 10T

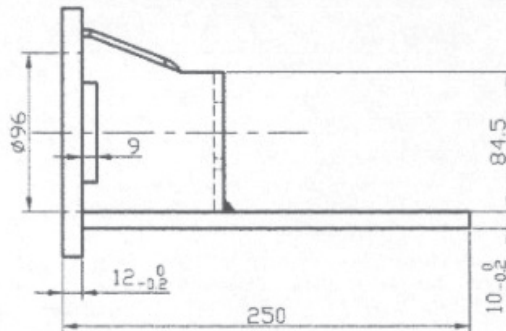
Operation
 Manual

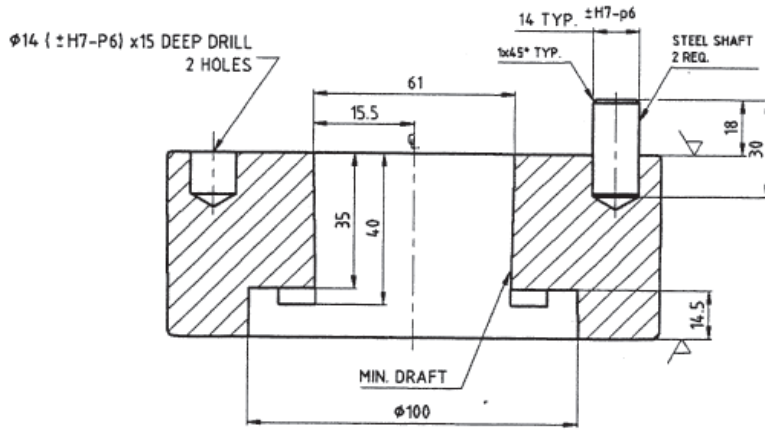
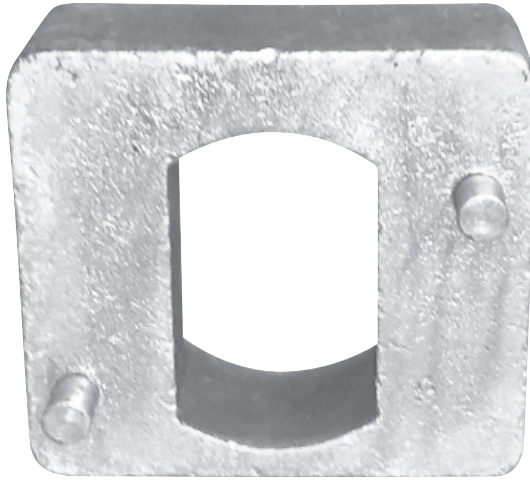
Surface Preparation
 Painted

*Product modification can be made upon request

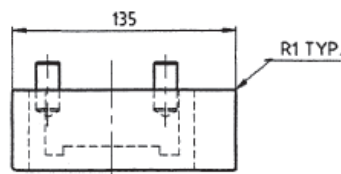


TLB-122-805-L:
 Short mechanism with long casting

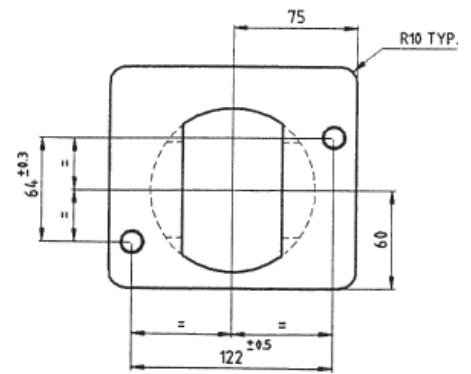




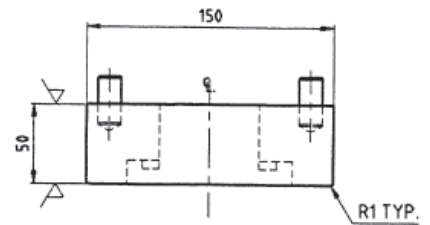
SECTION A-A



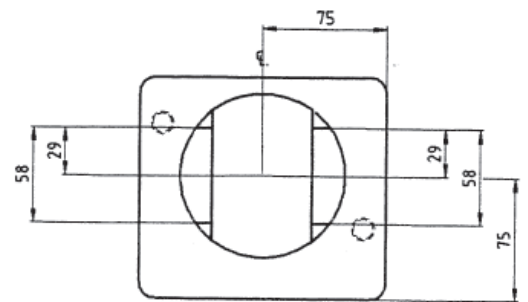
SIDE VIEW



TOP VIEW



ELEVATION



BOTTOM VIEW