

# JOST E110

## Features

- Entry level model
- Integral gear structure – compact size
- Low Maintenance
- Low wear level
- Superior corrosion protection



## Technical Data

Static Load Capacity	70t
Lift Capacity	25t
High / Low Gear	7.50mm / 0.83 per turn
Weight (19" T-Foot)	96kgs per set

## Foot Versions

	Part Number
A Foot - Rocking Foot	E100FA
S Foot - Compensating Foot	E100FS
T Foot - Sand Shoe Foot	E100FT
*T1 Foot - Low Profile T Foot	E100FT1
Axle to suit	E100-002

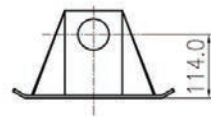
## Connection Shaft

	Part Number
Standard	DSL10

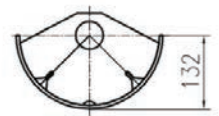
## Crank Handle

	Part Number
Standard	C10592.4RS

**Note: E110 series are sold as complete sets only**



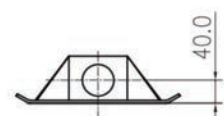
T-foot



A-foot

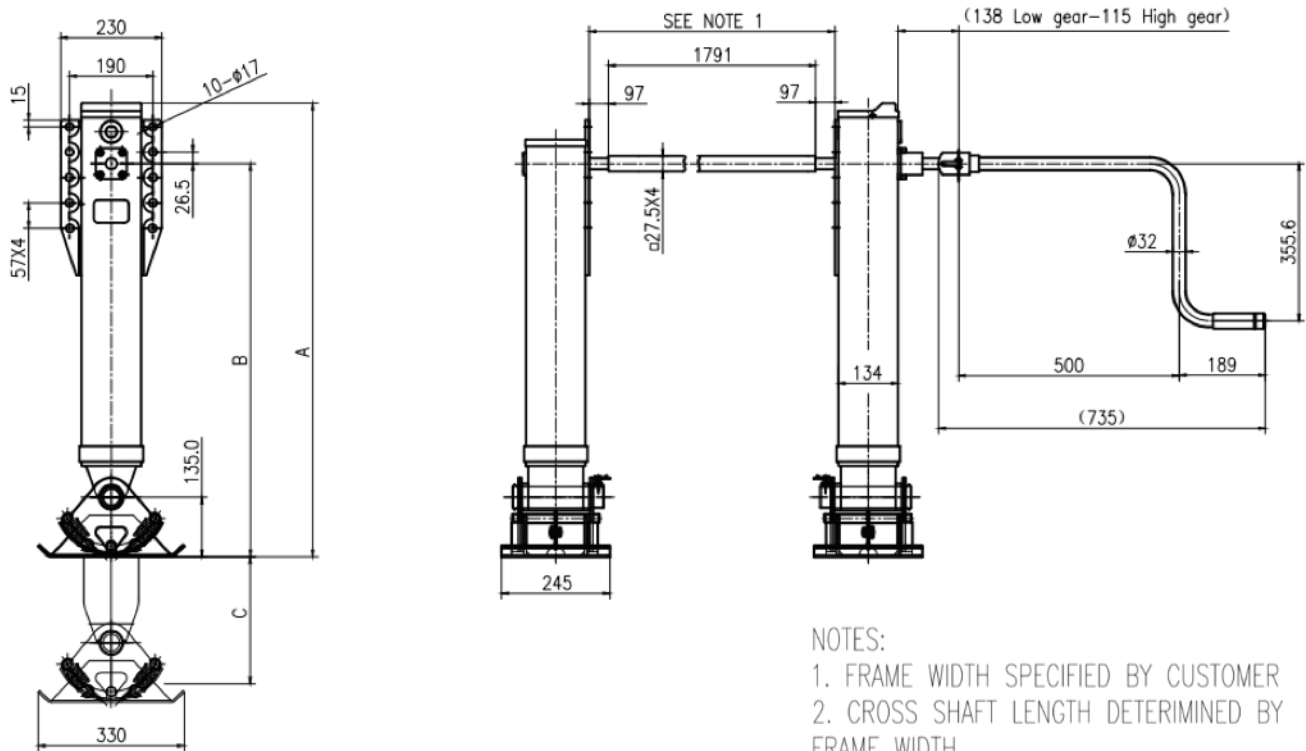


S-foot



\*T1-foot

# JOST E110



- NOTES:
1. FRAME WIDTH SPECIFIED BY CUSTOMER
  2. CROSS SHAFT LENGTH DETERMINED BY FRAME WIDTH
  3. CRANK HANDLE SPECIFIED BY CUSTOMER

## Landing Gear Specification

Part Number	A (mm)	B (mm)	C Travel	Part Number	A (mm)	B (mm)	C Travel
* E110T35010	851	715	335	* E110S35010	872	736	355
E110T43010	926	790	430	E110S43010	947	811	430
E110T48010	976	840	480	E110S48010	997	861	480
* E110A35010	869	733	355	* E110T135010	777	641	355
E110A43010	944	808	430	E110T143010	852	716	430
E110A48010	994	858	480	E110T148010	902	766	480

## Nomenclature – Specified by the customer

	0	0	L	T	48
E1 Series	Connect Shaft Type	Mounting Style	Leg speed	Footwear	Travel
	* Round - 0	Outside Mount - 0	Leave blank for both legs	Sand shoe - T	* 355mm (14") - 35
	Square - 1	* Reverse Mount - 1	R.H. Two speed leg - R	S Foot (Standard) - S	430mm (17") - 43
		* Long Back Plate / Outside Mount - 2	R.H. One speed leg - L	A Foot - A	480mm (19") - 48
		* Long Back Plate / Reverse Mount - 3			

^ 10 on the end of the part number denotes English spec tag.

Note: \* Specification available upon request. Contact your local Jost Branch for further details.