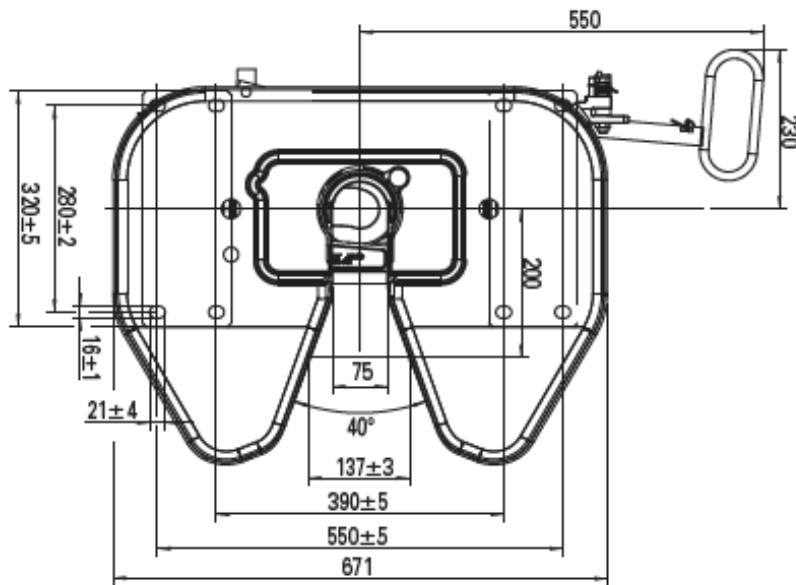
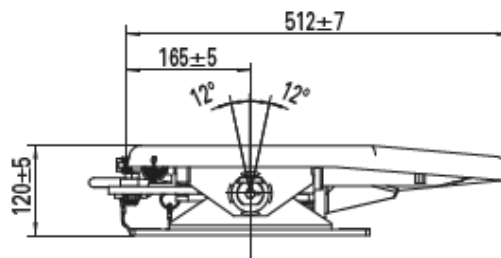


JSK26 Fifth Wheel

- Compact 2" fifth wheel coupling
- Robust pressed steel design
- Low mounting height



Part No.	H (mm)	D value (kN)	Imposed load U (t)	Weight (kg)	X/Y degrees
JSK26 D0 10 00 AA	120	52	6	45	12

Spare parts

Approval E1 55R-01 0367

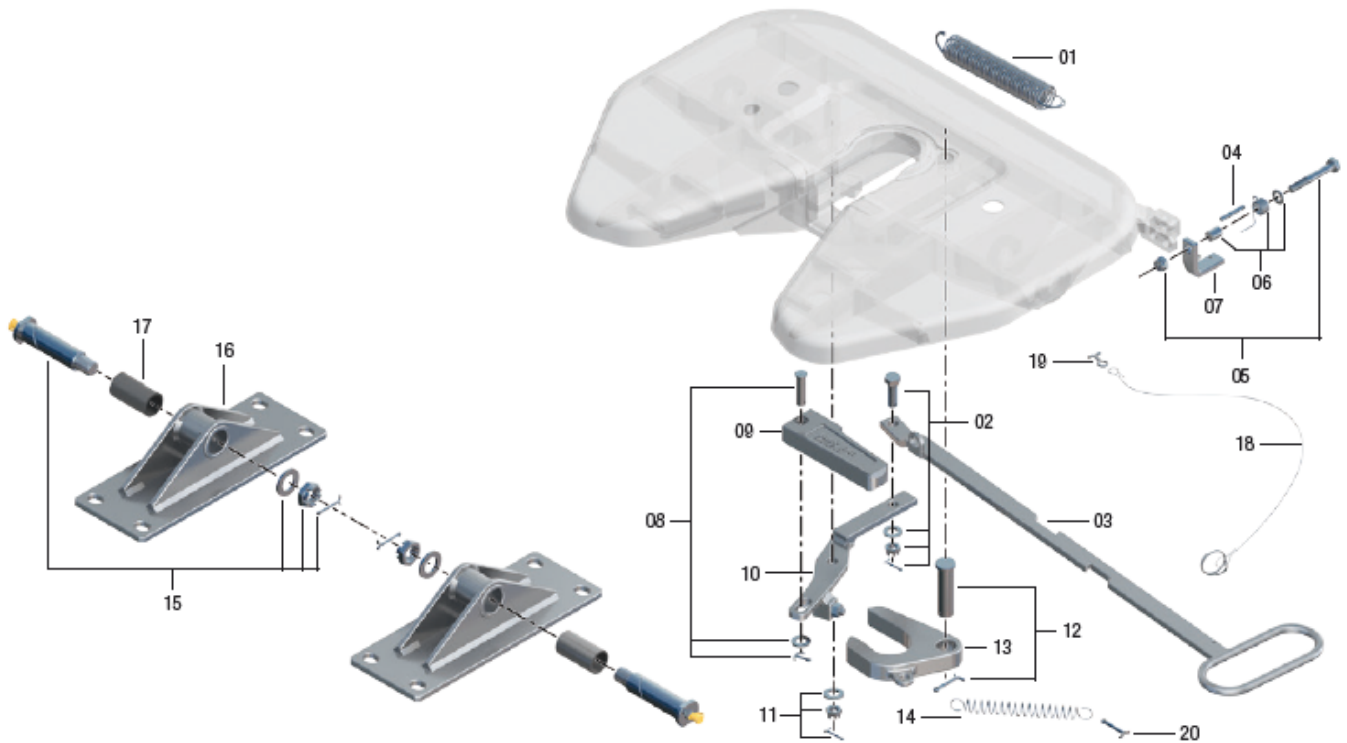


Fig	Description	Part No
01	Double tension spring	SK3105-152
02	Hexagon bolt	SK2621-54
03	Handle	SKE004790000
04	Spring hook	NTE000000400
05	Hexagon bolt	SK3521-03
06	Spring noose	SK2921-30
07	Latch compl.	SK3121-52
08	Bar bolt compl.	SK2621-53
09	Locking bolt	SK2605-61
10	Lever compl.	SK2605-59

Fig	Description	Part No
11	Castle nut compl.	SK2621-56
12	Bolt compl.	SK2621-51
13	Lock jaw	SK2605-60
14	Tension spring	SK847
15	Spring bolt compl.	SK2621-02
16	Pedestal 120mm	SKE005500000
17	Bush	SK2604-04
18	Latch cord compl. with 19	SK3521-02
19	Split pin	SKE035210600
20	Split pin	NTE000001600