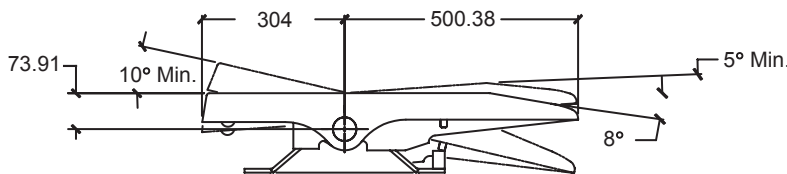
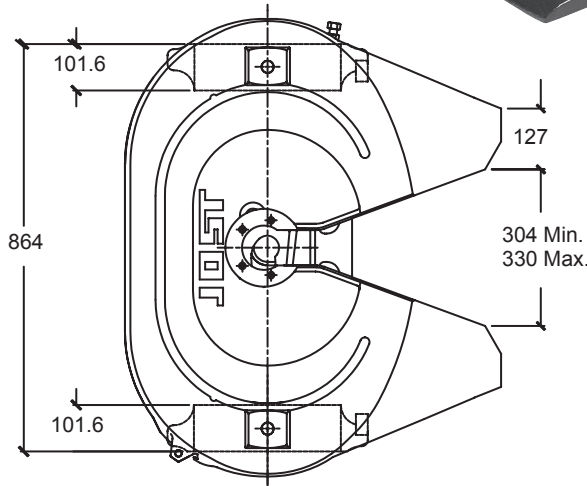


JSK 37 027



**Applications: Roll back application
Tipper Work**

Low maintenance fifth wheel coupling:

- maintenance free top plate
- maintenance free rubber cushioned pivot bearings
- maintenance free wear ring
- only one remaining grease point the lock jaw (little grease required)

Lock jaw and wear ring can be replaced without difficulty in a few minutes with the fifth wheel still in position.

Mounting must be carried out in accordance with our instructions.

Pneumatic operation

Also available in low profile ball race assembly

Type	Overall height mm	Imposed Load on tractor kg	D-value kN	Weight approx. kg	Pedestal Style	CRN
JSK37 027 150 FX	150	20000	200	123.50	Weld on	38553
JSK37 027 170 FX	170	20000	200	128.50	Weld on	
JSK37 027 185 FX	185	20000	200	128.50	Weld on	
JSK37 027 195 FX	195	20000	200	130	Weld on	
JSK37 027 205 FX	205	20000	200	131.50	Weld on	
JSK37 027 215 FX	215	20000	200	132	Weld on	
JSK37 027 235 FX	235	20000	200	133.50	Weld on	
JSK37 027 255 FX	255	20000	200	136.50	Weld on	

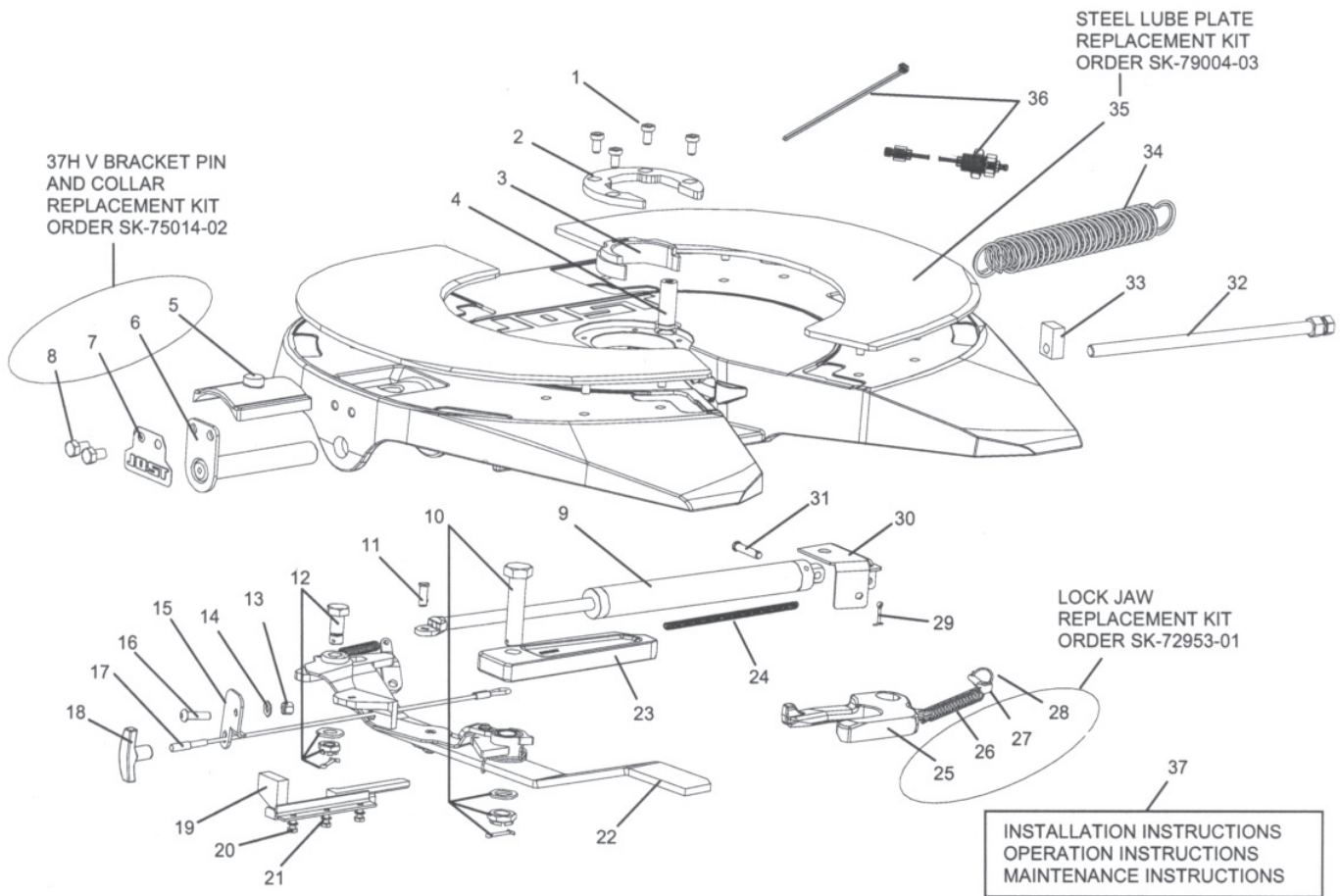


Fig.	Description	Part No.
1	Cushion ring bolt	SK-73121-55
2	Cushion ring plate	SK-3105-93
3	Cushion ring insert	SK-3105-92
4	Pivot pin for lock jaw	SK-72106-67
5	Collar	SK-73105-95
6	Bracket pin	SK-73104-05
7	Tab washer	SK-73104-47
8	1/2-13 x 3/4 hex bolt	SK-70202-15
9	Air cylinder	SK-79020-13
10	Locking bar bolt assembly	SK-73221-01
11	3/8" dia. x 3/4" lg slic pin	SK-70105-01
12	Pivot bolt assembly	SK-71513
13	3/8-16 locknut	SK-70401-02
14	3/8" SAE flat washer	SK-70302-01
15	Handle guide	SK-79016-32
16	3/8-16 x 1-1.4" button screw	SK-70206-02
17	Pull cable assembly	SK-79016-46
18	T-handle air release	SK-71012-00
19	Lock/unlock plate weldment	SK-79016-22
20	1/4-20 x 3/4" hex head cap screw	SK-70202-28

Fig.	Description	Part No.
21	1/4" split lock washer	SK-70303-05
22	Release arm assembly	SK-79016-37
23	Locking bar	SK-3205-06
24	Cable spring	SK-71005-04
25	Lock jaw	SK-1489LZ
26	Lock jaw spring	SK-847
27	Eyebolt	SK-2106-69
28	Ring	SK-2106-70
29	1/8" dia x 1" lg cotter pin	SK-70101-03
30	Cylinder mount bracket	SK-79020-08
31	3/8" dia x 1-3/8" clevis pin	SK-70102-01
32	Adjustment screw with hex nut	SK-79010-05
33	Guide piece	SK-73205-07
34	Double tension spring	SK-3105-20
35	Narrow topplate lube plate	SK-79005-05
35a	Steel inserts	SK-5000 L&R
36	Lubricating kit	SK-3108-02
37	Info pack	SK-75020-16
38	Nut and bolt	SK-3121-027
39	Pneumatic air release system	JOST RK 001

Fig.	Repair Kits	Part No
1-36	Repair kit for complete topplate	SK-75013-15
1-4,25-28,36,37	Repair kit for cushion and lock jaw	SK-73221-50Z
35a	Steel insert kit	SK-5000
35b	Greaseless insert kit	SK-3106-027