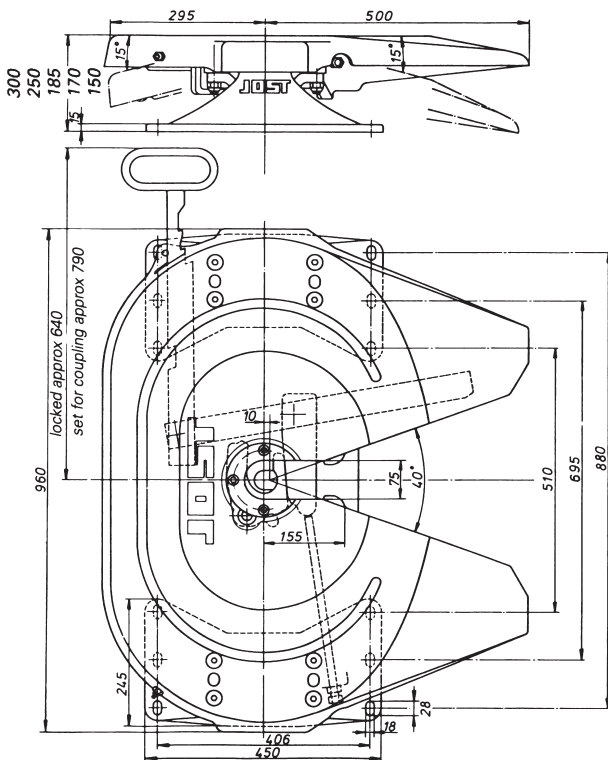
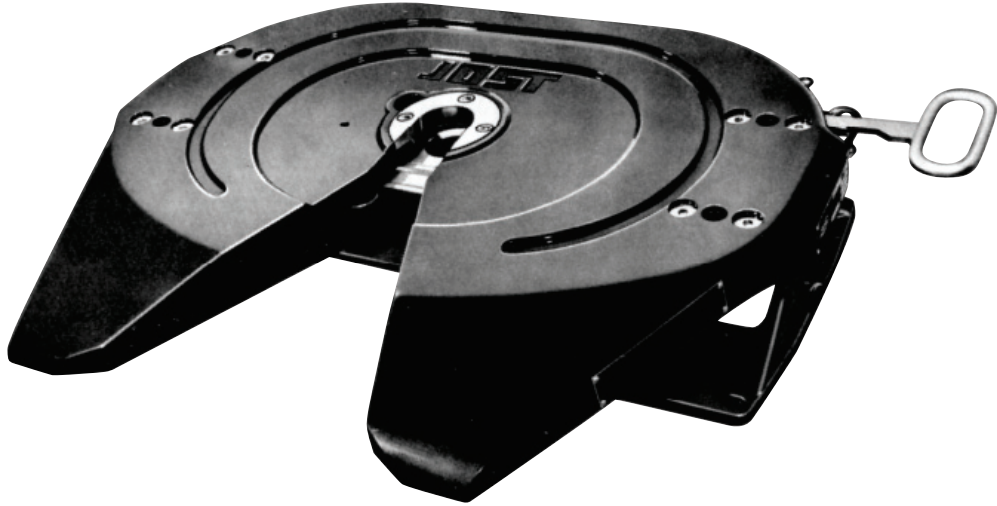


## Type JSK 37 C-Z

with wear ring & external jaw lubrication



**Applications:** Tanker  
General freight  
Fridge van  
B-double  
Road train

The fifth wheel comes standard with bolt on/weld on feet.

The fifth wheel coupling can be linked to the central lubrication system of the prime mover.

Lock jaw and wear ring can be replaced without difficulty in a few minutes with the fifth wheel still in position.

Shock absorbing large rubber pads.  
Oil and grease resistant.

Mounting must be carried out in accordance with our instructions.

Type	Overall Height mm	Imposed Load On Tractor kg	D-Value kN	Weight Approx. kg	CRN
JSK 37 CZ/150	150	20000	190	144.5	24286
JSK 37 CZ/170	170	20000	190	146.5	
JSK 37 CZ/185	185	20000	190	148.5	
JSK 37 CZ/250	250	20000	190	160.5	
*JSK 37 CZ/300	300	20000	190	176.5	AS1773-1996

\* Note 300mm non weldable pedestals

The right to alter specifications is reserved.

8/08

Jost Australia Pty. Ltd.  
Toll Free Sydney 1800 811 487  
www.jostaustralia.com.au

32a

Sydney  
Brisbane  
Melbourne  
Perth

(02) 9838 8100  
(07) 3272 5777  
(03) 9360 9001  
(08) 9355 4137

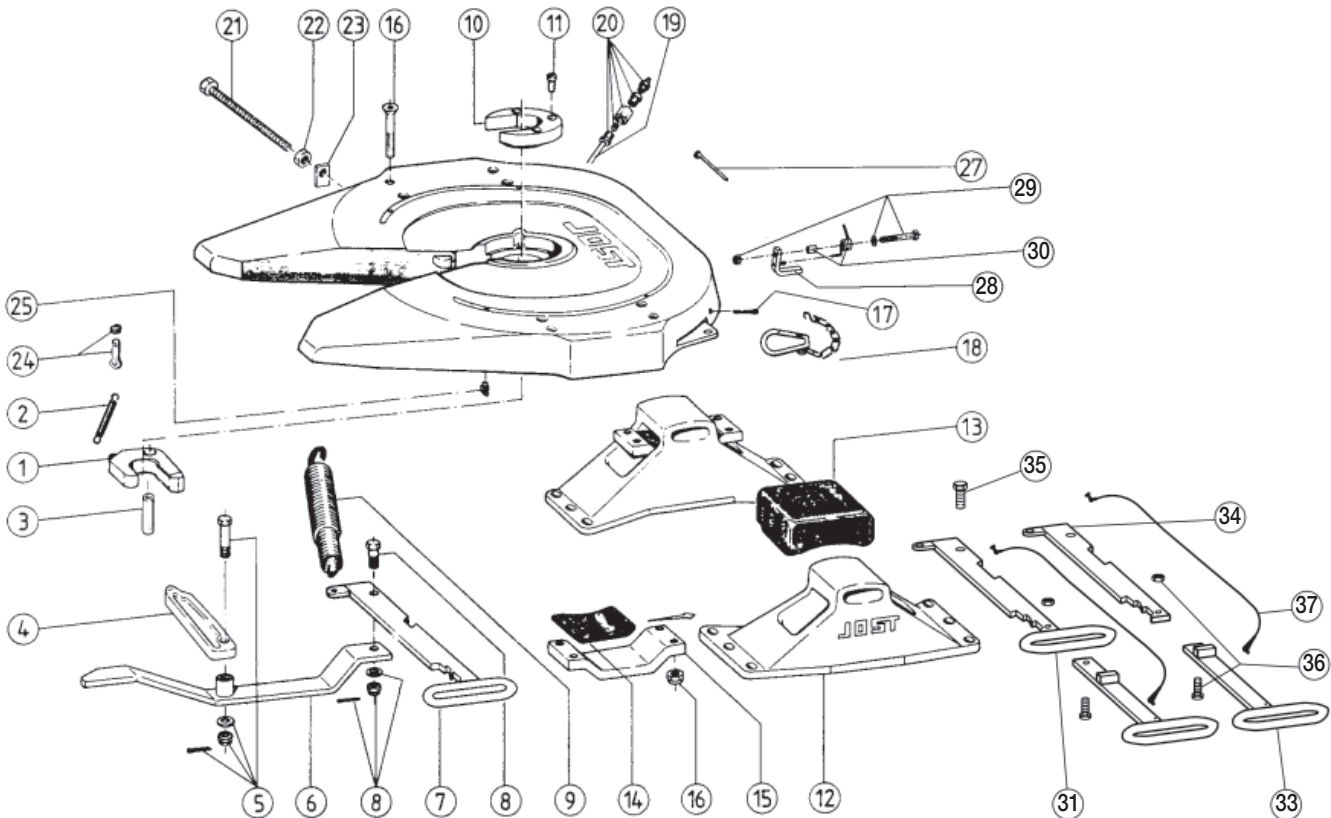


Fig.	Description	Part No.	Fig.	Description	Part No.
1	Lock jaw	SK 1489 Z	17	Split pin	SK 1974
2	Lock jaw spring	SK 847	18	Spring hook Pre 1996	SK 1436
3	Pivot for lock jaw, compl.	SK 2106-67	19	Lubrication fitting - steel	SK 1989
4	Locking bar	SK 3205-06	20	Grease nipple compl	SK 1976
5	Locking bar bolt, compl.	SK 3221-01	21	Adjusting screw	SK 3105-05
6	Lever	SK 3105-18	22	Hexagon nut	SK 2121-78
7	Operating handle	SK 3105-15	23	Guide piece	SK 3205-07
8	Socket head bolt	SK 1513	24	Eye bolt comp.	SK 2122-04
9	Double tension spring	SK 3105-20	25	Grease nipple	SK 3121-11
10	Wearing ring	SK 2105-19	26	Lubrication tubing - nylon	SK 3108-02
11	Head bolt	SK 2104-07	27	Tubing clamp	SK 3121-13
12a	Pedestal (185 mm) Bolt on/Weld on	SK 2104-01X	28	Spring latch 1996 onwards	SK 3121-52
12b	Pedestal (150 mm) Bolt on/Weld on	SK 2104-02X	29	Bolt for spring latch	SK 3521-03
12c	Pedestal (170 mm) Bolt on/Weld on	SK 2104-21X	30	Spring for latch	SK 3121-59
12d	Pedestal (250 mm) Bolt on/Weld on	SK 2104-14X	31	Operating Handle	SK 3105-15
12e	Pedestal (300 mm) Non Weldable	SK 2104-20	33	Handle Extension	SK 3105-113
13	Upper rubber cushion	SK 1259	34	Internal Operating Handle	SK 3105-115
14	Lower rubber cushion	SK 2105-25	35	Head Bolt	SK 1513
15	Mounting bracket	SK 1372	36	Extended Handle Bolt	SK 2421-50
16	Socket head bolt, compl. with nut	SK 2121-15	37	Cable Extension	SK 3521-02

Fig.	Repair Kits	Part No
1,2,3,10,11	Repair kit for locking device	SK 3221-50 Z
1,2,3	Repair kit for locking device	SK 3221-52 Z
1,2,3,8	Repair kit for locking device	SK 3121-50
10,11,18, 13,14,16	Repair kit for rubber bearing	SK 2121-69 Z
28,29,30	Repair kit for spring latch	SK 3121-52 Kit