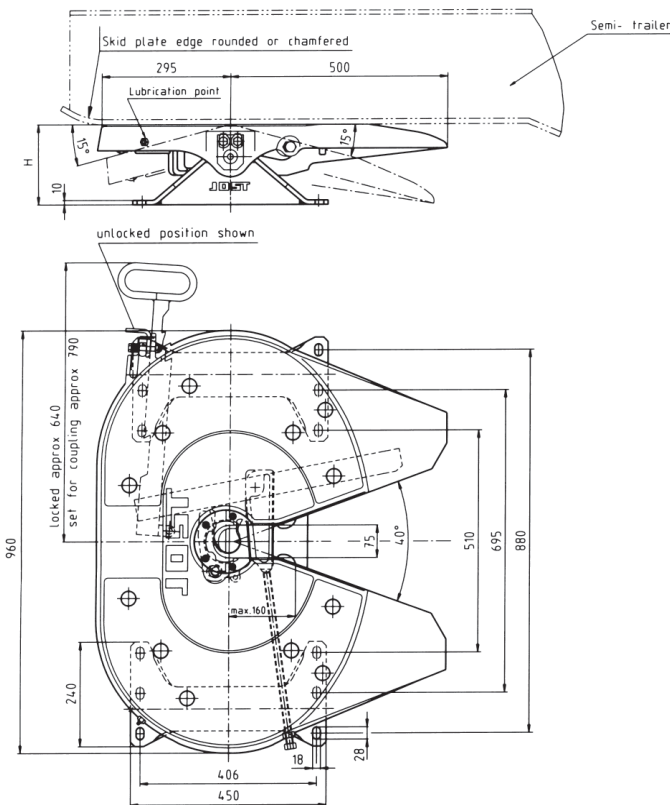


JSK 37 EW



Applications: Highway work Tipper Work

Low maintenance fifth wheel coupling:

- maintenance free top plate
- maintenance free rubber cushioned pivot bearings
- maintenance free wear ring
- only one remaining grease point the lock jaw (little grease required)

Lock jaw and wear ring can be replaced without difficulty in a few minutes with the fifth wheel still in position.

Available with extended operating handle (240mm) on demand.

Mounting must be carried out in accordance with our instructions.

Mounting hole pattern in accordance with DIN standard 74081 and ISO standard 3842. Suitable for all types of rear axle steering systems.

Type	Overall height mm	Imposed Load on tractor kg	D-value kN	Weight approx. kg	Pedestal Style	CRN
JSK37 E150 FX	150	20000	190	123.50	Weld on	36821
JSK37 E170 FX	170	20000	190	128.50	Weld on	
JSK37 E185 FX	185	20000	190	128.50	Weld on	
JSK37 E195 FX	195	20000	190	130	Weld on	
JSK37 E205 FX	205	20000	190	131.50	Weld on	
JSK37 E215 FX	215	20000	190	132	Weld on	
JSK37 E235 FX	235	20000	190	133.50	Weld on	
JSK37 E255 FX	255	20000	190	136.50	Weld on	

The right to alter specifications is reserved.

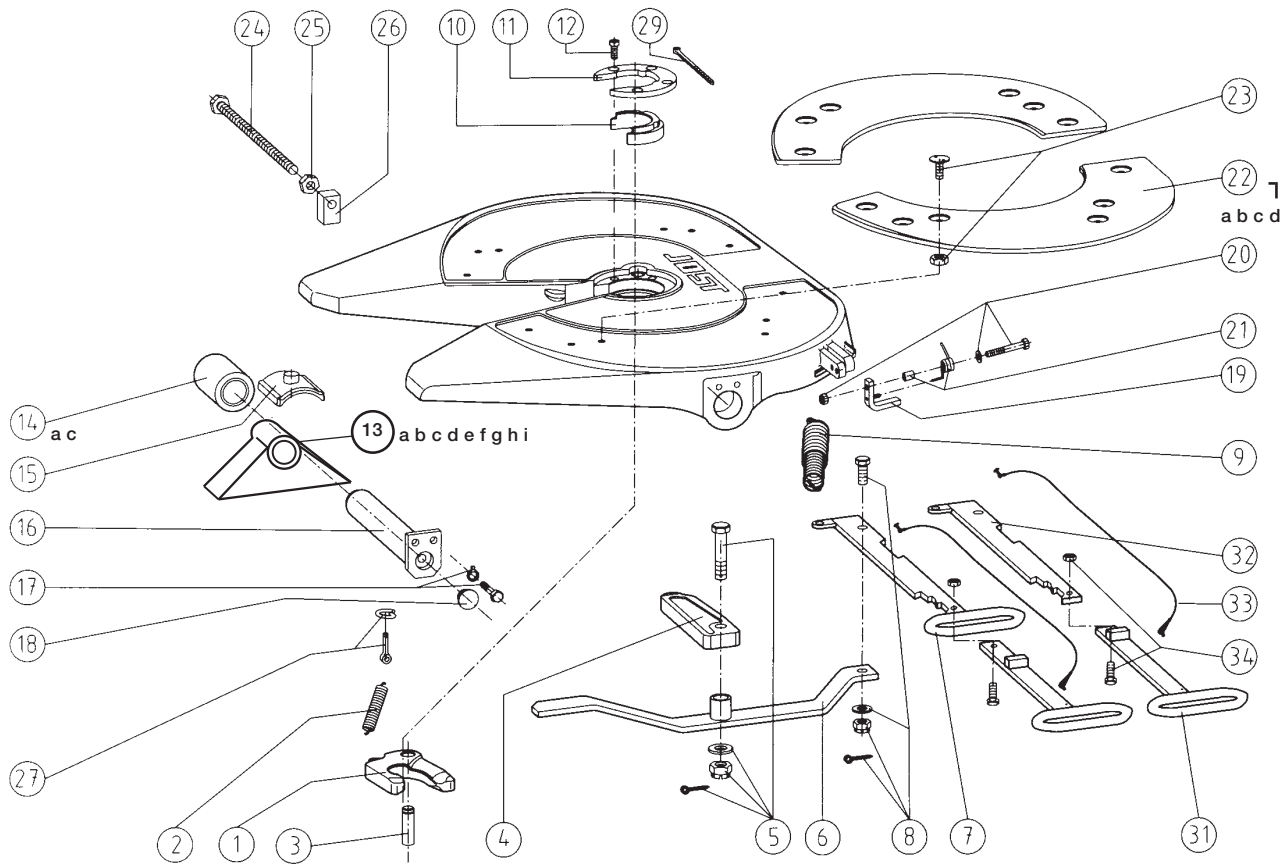


Fig.	Qty	Description	Part No.	Fig.	Qty	Description	Part No.
1		Lock jaw	SK 1489 Z	16		Swivel pin	SK 3104-05
2		Lock jaw spring	SK 847	17		Socket head bolt, compl.	SK 3121-28
3		Pivot for lock jaw, compl.	SK 2106-67	18		Plug	JS 1101-12
4		Locking bar	SK 3205-06	19		Latch	SK 3121-52
5		Locking bar bolt, compl.	SK 3221-01	20		Bolt for spring latch	SK 3521-03
6		Lever	SK 3105-18	21		Spring noose with spacer	SK 3121-59
7		Operating handle (standard)	SK 3105-15	22a		Top plate liner, right hand (4 bolt)	SK 3105-87R10
8		head bolt	SK 1513	22b		Top plate liner, left hand (4 bolt)	SK 3105-87L10
9		Double tension spring	SK 3105-20	22c		Top plate liner, right hand 10mm(6 bolt)	SK 3105/129R
10		Wearing ring insert	SK 3105-92	22d		Top plate liner, left hand 10mm(6 bolt)	SK 3105/129L
11		Wearing ring fixture	SK 3105-93	22e		Top plate liner, right hand (new style)	SK 3105/130L
12	4	Socket head bolt	SK 3121-55	22f		Top plate liner, left hand (new style)	SK 3105/130R
13a		Fabricated Pedestals 130	SK 2920-130	23a		Countersunk bolt, compl.	SK 3121-062
13b		Fabricated Pedestals 150	SK 2920-150	23b		Hexalobular bolt (new style)	SKT 001006000
13c		Fabricated Pedestals 170	SK 2920-170	24		Adjusting screw	SK 3105-97
13d		Fabricated Pedestals 185	SK 2920-185	25		Hexagon nut	SK 2121-78
13e		Fabricated Pedestals 195	SK 2920-195	26		Guide piece	SK 3205-07
13f		Fabricated Pedestals 205	SK 2920-205	27		Eye bolt, compl.	SK 2122-04
13g		Fabricated Pedestals 215	SK 2920-215	28		Lubrication tubing, compl.	SK 3108-02
13h		Fabricated Pedestals 235	SK 2920-235	29		Tubing clamp	SK 3121-13
13i		Fabricated Pedestals 255	SK 2920-255	31		Extended handle, grip	SK 3105-113
14a	2	Rubber bushing for bolt on feet	SK 2905-20	32		Extended handle, lower part	SK 3105-115
14c	2	Rubber bushing for pressed feet	SK 2905-95	33		Latch cord, compl.	SK 3521-02
15		Collar	SK 3105-95	34		Socket head bolt, compl.	SK 2421-50

Fig.	Repair kits	Part No.	Fig.	Repair kits	Part No.
1,2,3	Repair kit for locking device	SK 3221-52Z	22	Steel Inserts 6 bolt RH	SK4001R/8mm
1,2,3,8,10,12,28	Repair kit for locking device	SK 3121-060Z	22	Steel Inserts 8mm (6 bolt)	SK 4000
10,11,12	Repair kit for wearing ring	SK 3104-94	22,23	Repair kit for top plate liner 10mm (4 bolt)	SK 3106-004
14,15,16,17,18	Repair kit for bearing	SK 3121-061	22,23	Repair kit for top plate liner 10mm (6 bolt)	SK 3106-007
19,20,21	Repair kit for spring latch	SK 3121-52 Kit	33,34	Handle extension, compl.	SK 3121-063
22	Steel Inserts 6 bolt LH	SK4001L/8mm			

The right to alter specifications is reserved.

8/08

Jost Australia Pty. Ltd.
Toll Free Sydney 1800 811 487
www.jostaustralia.com.au

Sydney (02) 9838 8100
Brisbane (07) 3272 5777
Melbourne (03) 9360 9001
Perth (08) 9355 4137