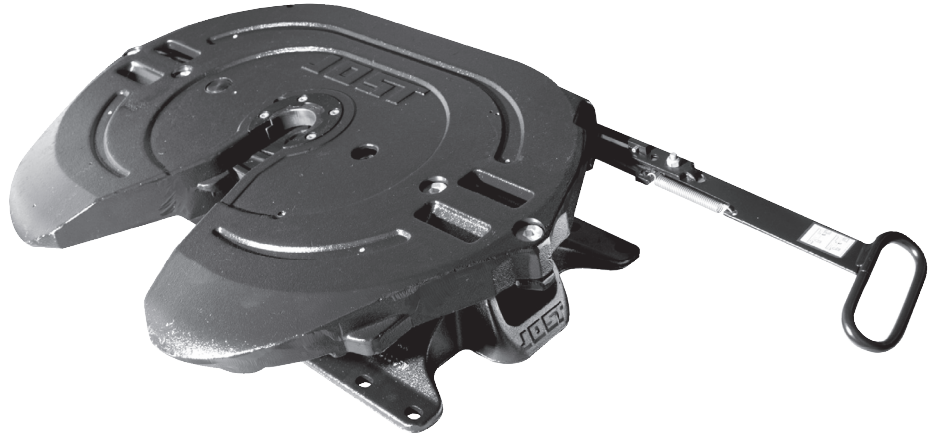


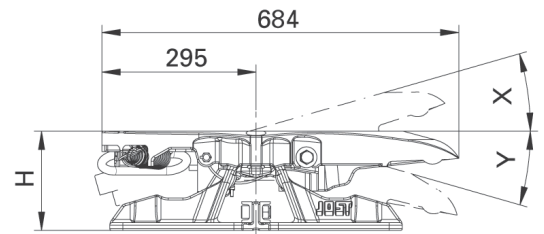
Technical Specification

The fifth wheel coupling complies with the following directives / standards: 94/20/EC - Class G50, DIN 74081, ISO 3842. Suitable for mounting 2" king pins (50) as per 94/20/EC, DIN 74085, ISO 337 and steering wedges as per 94/20/EC, DIN 74085.



Technical Data

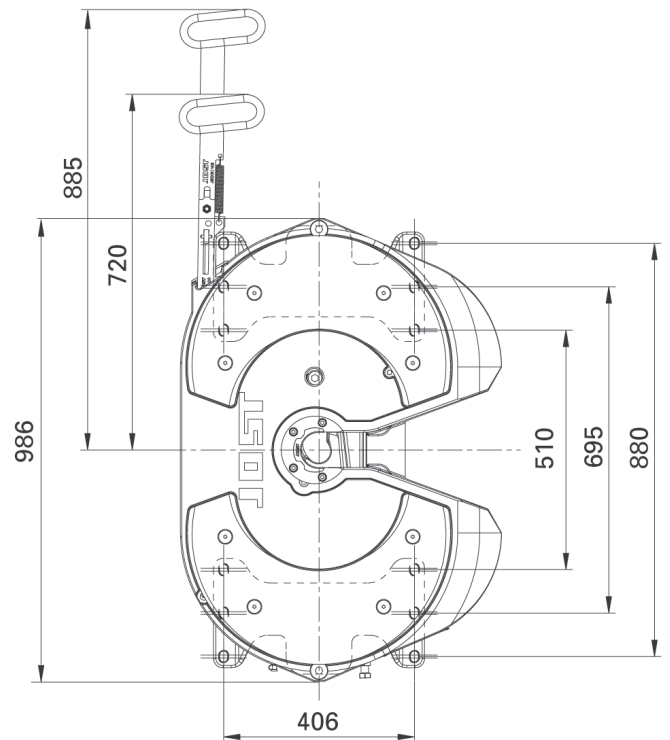
D value (kN)	Imposed load U (t)	CRN
200	20	36130



Selection Table

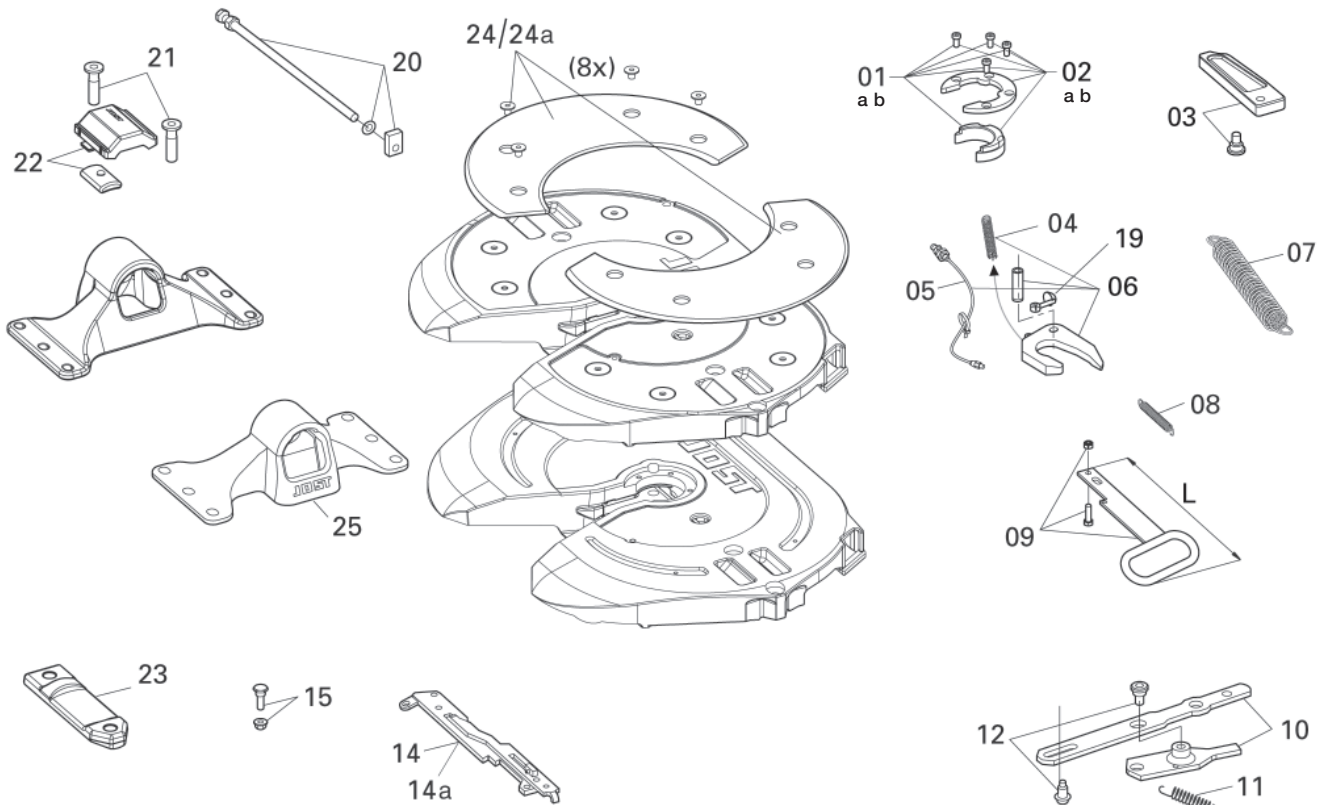
Order No.	H (mm)	Standard or Greaseless
JSK 42 WJ-150	150	G
JSK 42 WJ-185	185	G
JSK 42 WJ-225	225	G
JSK 42 WJ-250	250	G
JSK 42 ZJ-150	150	S
JSK 42 ZJ-185	185	S
JSK 42 ZJ-225	225	S
JSK 42 ZJ-250	250	S

Plate mounting



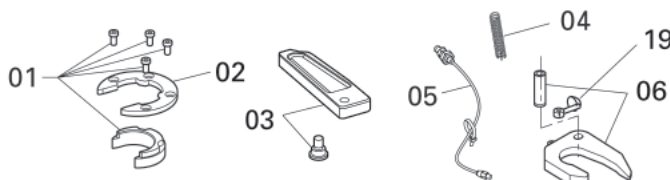
Sensor Version

Order No.	H (mm)	Standard or Greaseless	Sensors
JSK 42 WJS-150	150	G	3
JSK 42 WJS-185	185	G	3
JSK 42 WJS-225	225	G	3
JSK 42 WJS-250	250	G	3
JSK 42 ZJS-150	150	S	3
JSK 42 ZJS-185	185	S	3
JSK 42 ZJS-225	225	S	3
JSK 42 ZJS-250	250	S	3



Item	Designation	Order No.	Quantity per JSK
01a	Wearing part with mounting bolt kit	SKE 001740020	1
01b	Wear ring insert	SK 3105-92	1
02a	Mounting ring kit	SK 3105-94	1
02b	Wear ring	SK 3105-93	1
03	Locking bar with mounting bolt	SKE 001009720	1
04	Tension spring	SK 847	1
05	Lubrication tube, compl. with cable tie	SK 3108-02	1
06	Lock jaw	SK 3221-52 Z	1
07	Double tension spring	SK 3105-20	1
08	Locking spring	SKE 001440000	1
09	Short handle, c/w 08	SKE 001390020	1
	Long handle, c/w 08	SKE 001390120	1
10	Lever kit	SKE 001380020	1

Item	Designation	Order No.	Quantity per JSK
11	Lever spring	SKE 001009800	1
12	Lever bolts	SKE 001750020	1
14	Lever, compl.	SKE 001620020	1
14a	Sensor locking bar lever kit	SKE 001360300	1
15	Lever bolt	SKE 001650020	1
19	Eye bolt, compl.	SK 2122-04	1
20	Adjusting screw with guide	SKE 500740220	1
21	Bolt	SKE 001011400	4
22	Collar, compl.	SKE 001370020	2
23	Bridge	SKE 001530220	2
24	Skid plate with bolts, compl.	SKE 001007020	1
24a	10mm Skid plate with bolts	SKE 1007020-10	1
25	Pedestal H 150	SKE 001005620	2
	Pedestal H 185	SKE 001005720	2
	Pedestal H 225	SKE 001005820	2
	Pedestal H 250	SKE 001005920	2



Item	Designation	Order No.
01, 02, 03, 04, 05, 06, 19	Lock, compl.	SKE 001640020
24a	Steel Inserts	SK 6000

A = sensor for connection status
 B = sensor for king pin
 C = sensor for coupling height

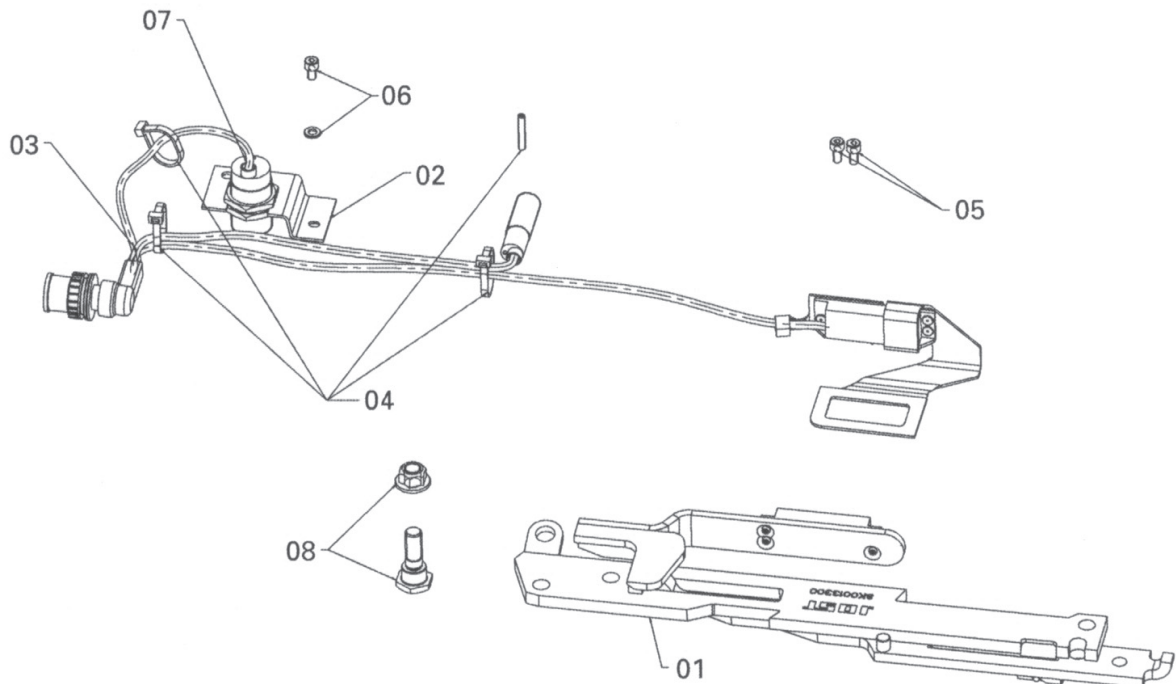
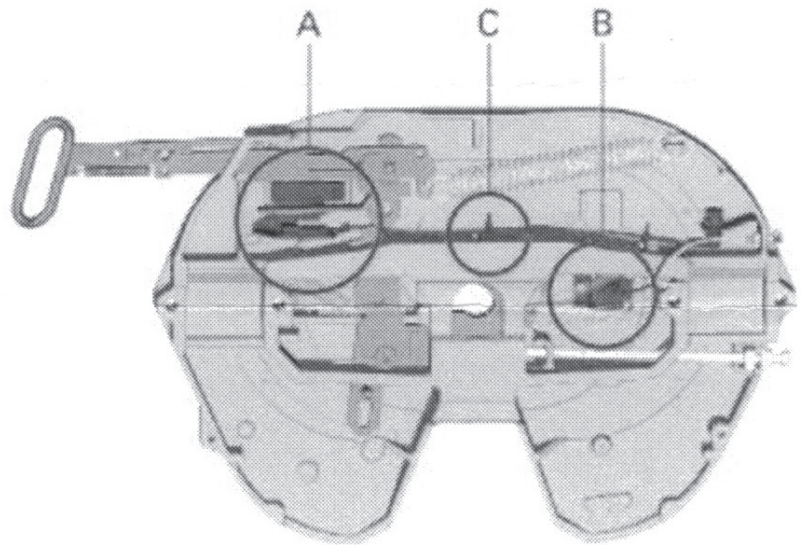
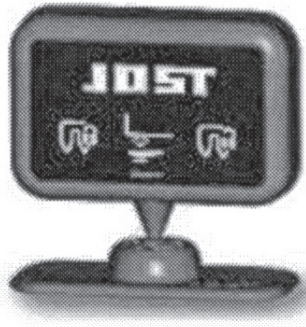


Fig.	Description	Remark	Part No.	Quantity
01	Sensor locking bar kit, with magnet	with 08	SKE 001360300	1
02	Trailer sensor retaining plate with load elements	with 06	SKE 003220100	1
03	3-sensor cable harness with mounted plate JSK 42	with 04, 05, 06, 07	SKE 002040100	1
03	2-sensor cable harness with mounted plate JSK 42	with 04, 05	SKE 002040300	1
	Sensor display with 2 sensors - 24V	oZ	SKE 501620100	1
	Sensor display with 3 sensors - 24V	oZ	SKE 501620200	1
	Sensor display with 2 sensors - 12V	oZ	SKE 501620300	1
	Sensor display with 2 sensors - 24V, SCANIA France	oZ, 2m cable	SKE 501620400	1
	Sensor display with 3 sensors - 12V	oZ	SKE 501620500	1
	Extension cable, standard quality	oZ	SKE 002110100	1
	Extension cable, ADR quality	oZ	SKE 002110200	1