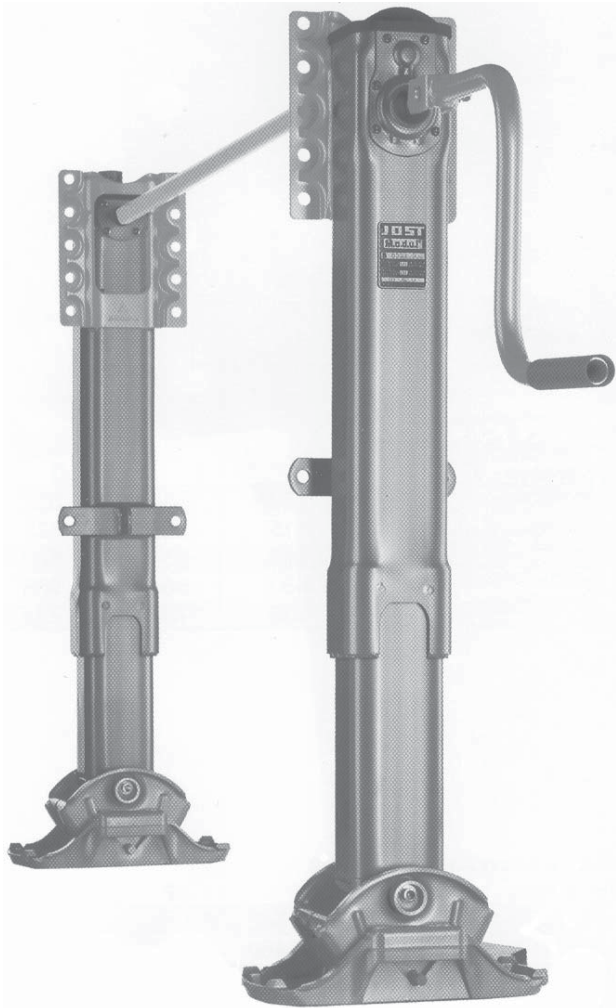


Flexibility due to a modular ordering system

The ordering system allows clients to choose and put together a set of legs to suit their needs.

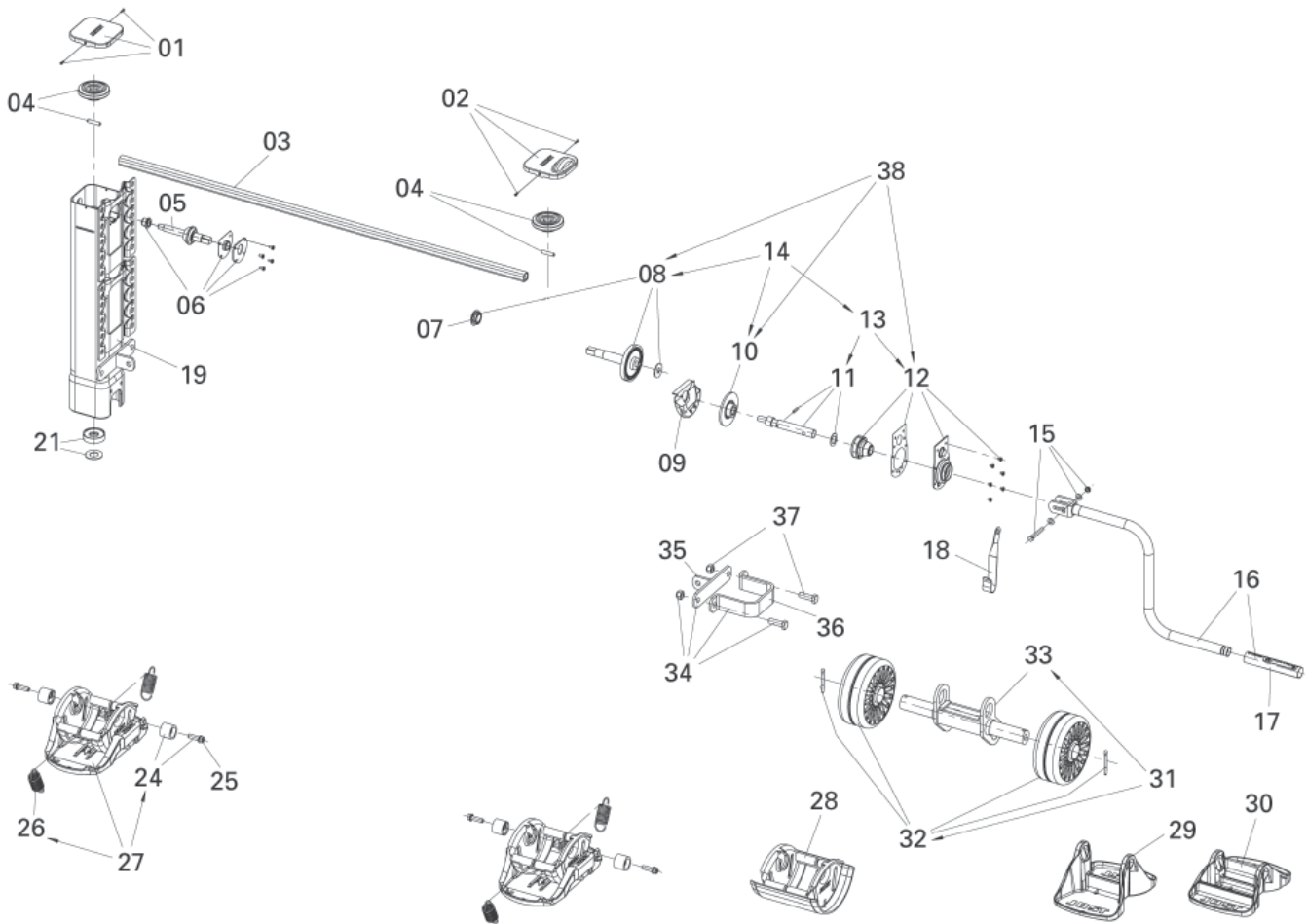
| Installation height | |
|---------------------|-----------|
| | max. lift |
| 02 = 850mm | 520mm |
| 03 = 800mm | 470mm |
| 05 = 700mm | 400mm |



| Foot versions | | |
|--------------------|-------------------|----------|
| | | Part No. |
| 00 = without foot | | |
| fitted | | |
| 01 = S Foot | compensating foot | JS D01 |
| 02 = A Foot | rocking foot | JS D02 |
| 03 = R Foot | wheels | JS D03 |
| 04 = T Foot | sand shoe | JS D04 |
| 06 = Low Profile T | | JS D06 |

| Crank handle with parking hook | |
|--------------------------------|----------|
| 03 = 450mm | Optional |
| 05 = 520mm | Standard |

| Connection Shaft | |
|------------------|----------|
| 10 = 1790mm | Standard |



| Fig. | Description | Part No. |
|------|--|-------------------------|
| 1 | Cover, left with bolts | JS 0046100 |
| 2 | Cover, right with bolts | JS 0046300 |
| 3 | See individual components | |
| 4 | Bevel gear with bolt | JS 0058600 |
| | | Supersedes JS0046000 |
| 5 | Shaft | JS 0001500 |
| 6 | Bearing, complete | JS 0046200 |
| 7 | Bearing | JS 0001800 |
| 8 | Shaft with bearing | JS 0058700 |
| 9 | Grease tank | JS 0002000 |
| 10 | Gear wheel | JS 0055800 |
| 11 | Crankshaft, complete | JS 0046500 |
| 12 | Bearing holder, complete | JS 0058800 |
| 13 | Crankshaft and bearing holder, compl. 12 +11 | JS 0056600 |
| 14 | Drive, complete 8, 10 + 13 | JS 0083700 |
| 15 | Bolt with washers and nuts | JS 0043100 |
| 16 | See individual components | |
| 17 | Crank bushing | JS 0042700 |
| 18 | Crank parking hook for crank 415-480mm | JS 0040201 |
| | Crank parking hook for crank 520mm | JS 0040202 |
| 19 | *Mh-02/850 shaft left | JS E0031801 |
| | *Mh-03/800 shaft left | JS E0031802 |
| | *Mh-05/700 shaft left | JS E0031804 |
| 21 | Axial bearing with washer | JS E0066401 |

| Fig. | Description | Part No. |
|---|-------------------------------|-------------|
| | *Mh-05/700 shaft left | JS E0031804 |
| 21 | Axial bearing with washer | JS E0066401 |
| 24 | Nut and bolt | JS 0043300 |
| 25 | Bolt | JS 0055300 |
| 26 | Spring | JS 0012900 |
| 27 | S foot, complete | JS D01 |
| 28 | A foot, complete | JS D02 |
| 29 | T foot, complete | JS D04 |
| 30 | Tc foot, complete * | JS D06 |
| 31 | R foot, complete * | JS D03 |
| 32 | Wheels with split pins | JS 0062200 |
| 33 | Wheel holder | JS E0067300 |
| 34 | Clamp with angle | JS E010.010 |
| 35 | Angle | JS E010.001 |
| 36 | Clamp | JS E010.002 |
| 37 | Nut and bolt | JS E020.004 |
| 38 | Drive repair kit | JS E0059200 |
| Individual Components, Accessories and Repair Kits | | |
| 3 | Connection shaft 1790mm | JS L10 |
| 16 | Crank 450mm with parking hook | JS U03 |
| | Crank 520mm with parking hook | JS U05 |

* With the 06/TC foot version, item 30, the installation height Mh is reduced by 50mm
 * With the 06/TC foot version, item 30, the installation height Mh is reduced by 50mm

Modul Series Landing Legs Available in 400mm, 470mm, 520mm Travel Standard outside flange mounting models



9" Diameter Standard Wheels
9" Diameter Standard Wheels
9" Diameter Standard Wheels

Modul R 400mm
Modul R 470mm
Modul R 520mm



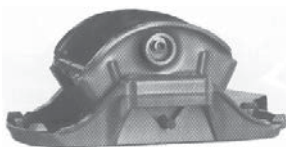
329mm x 230mm Sand Shoes (T Feet)
329mm x 230mm Sand Shoes (T Feet)
329mm x 230mm Sand Shoes (T Feet)

Modul T 400mm
Modul T 470mm
Modul T 520mm



Air Suspension Feet (280mm x 240mm)
Air Suspension Feet (280mm x 240mm)
Air Suspension Feet (280mm x 240mm)

Modul A 400mm
Modul A 470mm
Modul A 520mm



Compensating Feet (397mm x 260mm)
Compensating Feet (397mm x 260mm)
Compensating Feet (397mm x 260mm)

Modul S 400mm
Modul S 470mm
Modul S 520mm



Supplied without Feet can take R.T.S or A Feet
Supplied without Feet can take R.T.S or A Feet
Supplied without Feet can take R.T.S or A Feet

Modul WF 400mm
Modul WF 470mm
Modul WF 520mm

Note: Inside flange mounting models also available