

ROCKINGER

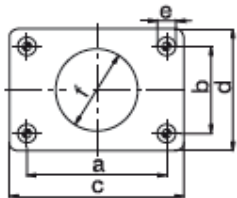
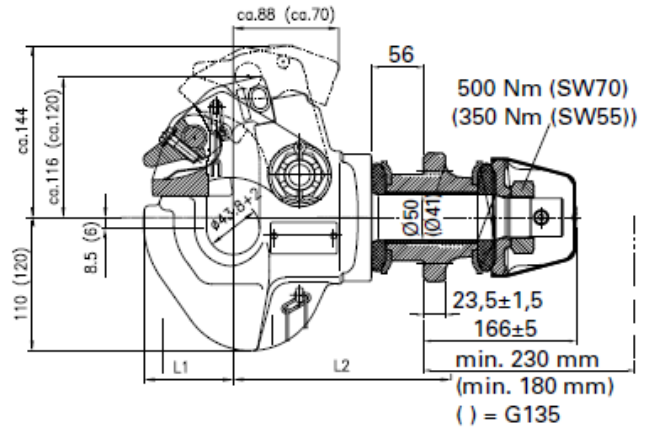
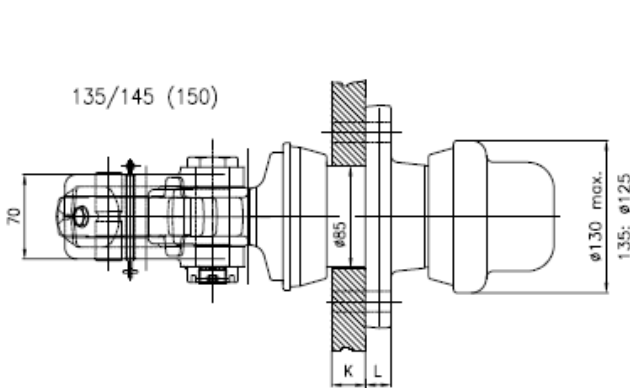
RO283A50002

76mm Pintle Hook

- D Value 160kN
- S Value 1500kgs
- V value 21.6 kN
- 160 x 100mm bolt pattern



Approval ECE E1 55R-010350



	a (mm)	b (mm)	c (mm)	d (mm)	e (mm)	f (mm)	L1 (mm)	L2 (mm)	L3 (mm)	L4 (mm)
RO283A50002	160	100	200	140	21	94	88	180	156	424

Spare parts

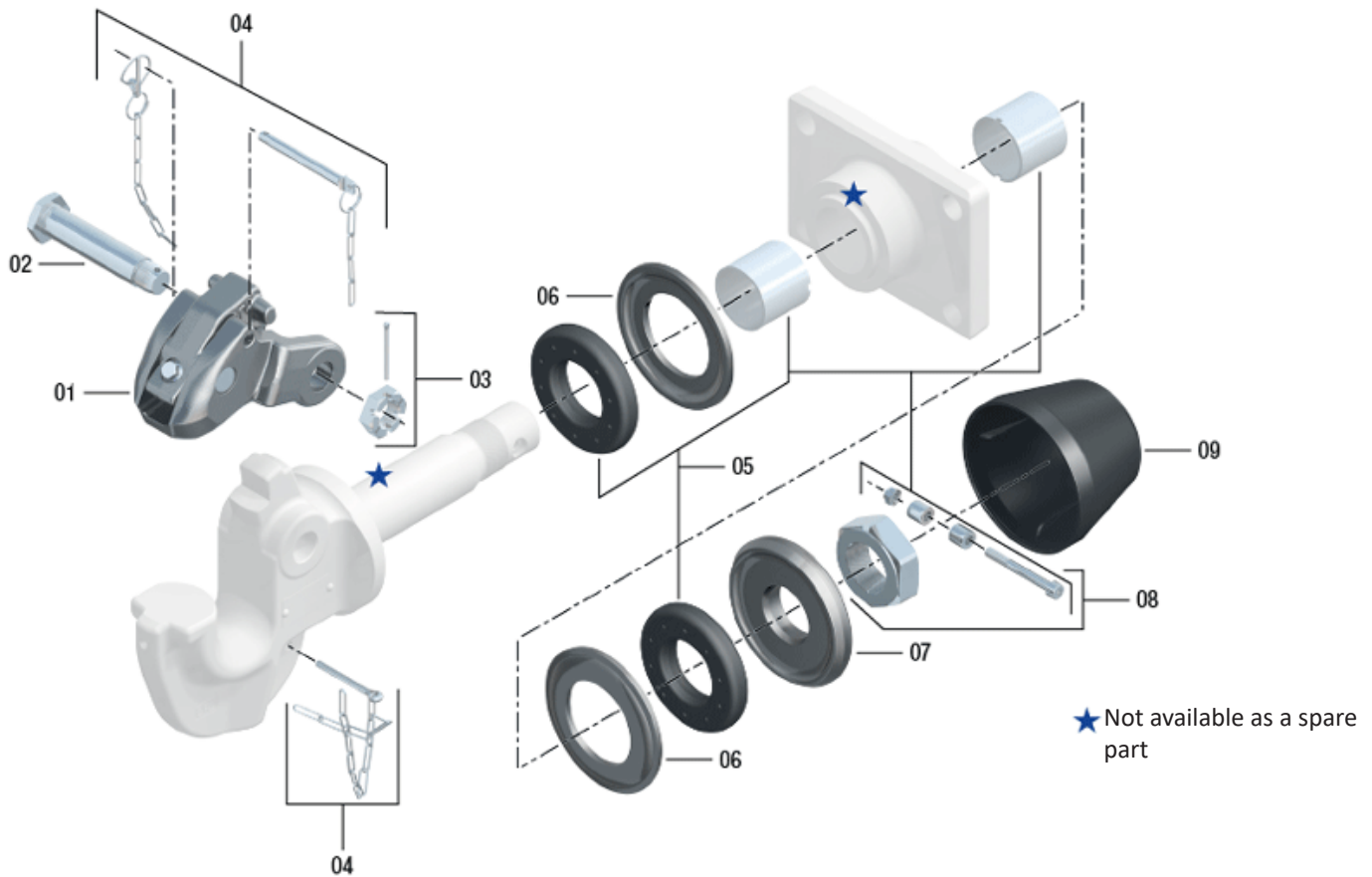


Fig	Description	Part No
01	Locking unit	ROE70932
02	Pivot bolt	ROE52037
03	Nut w. split pin	ROE56030
04	Safety Pin	ROE70285
05	Bush kit	ROE71640

Fig	Description	Part number
06	Spring cap	ROE44134
07	Conical cap	ROE12636
08	Nut	ROE71642
09	Protection cap	ROE25347