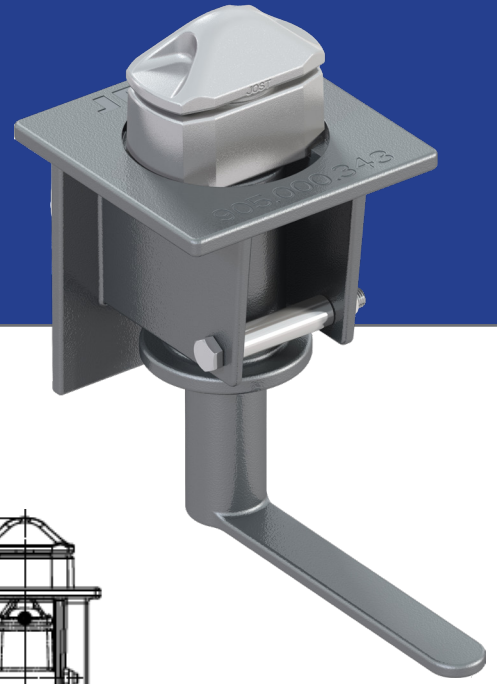
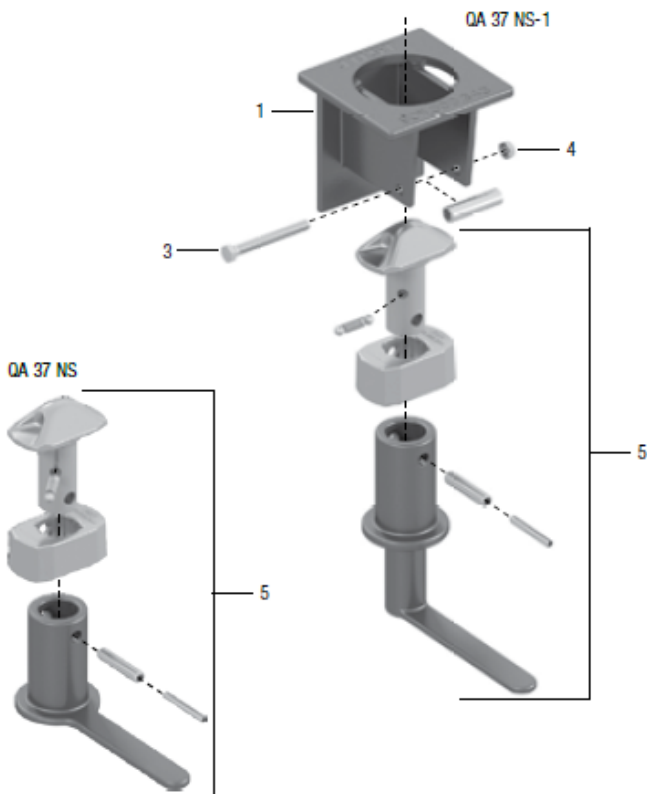
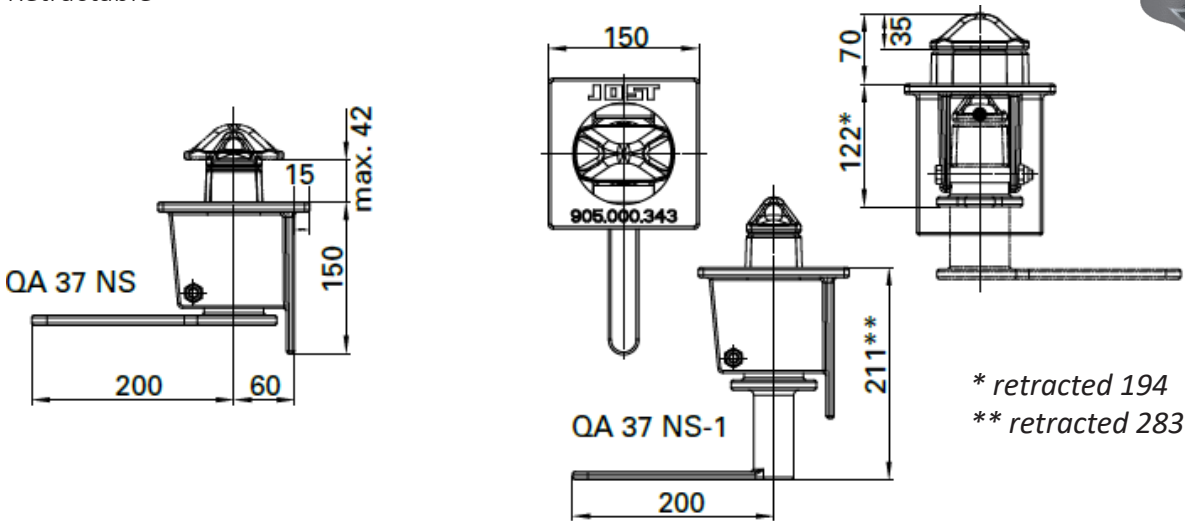


QA 37 NS retractable twistlock



Application: Container chassis in centre position
 rec. gross container weight: max. 25,400 kg
 Locking pin: \varnothing 38 mm (ISO)
 Retractable



Version	Part No.	Weight (kg)
Standard handle	QA 37 NS	7.9
Extended handle	QA 37 NS-1	8.5

Fig	Description	QA 37 NS	QA 37 NS-1
1	Housing	905.000.343	
3	Hex screw	000.001.077	
4	Hex nut	NT0000400	
5	Locking pin, compl.	905.674.400	905.667.400